



**Kinotech Industry**

Galati - Romania

TEL./FAX: 0236-466.372

TEL./FAX: 0236-313.013

www.kinotech.ro

E-mail: office@kinotech.ro

Mobil: 0768-463.636

Mobil: 0723-694.919

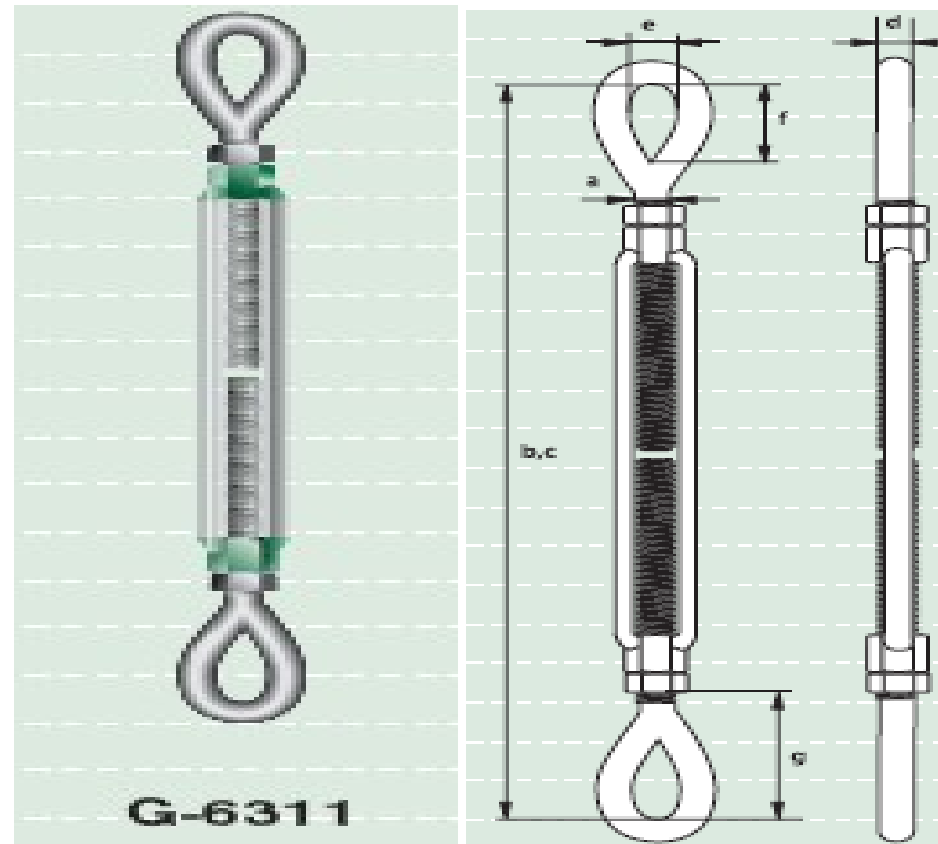
Mobil: 0765-998.277

Mobil: 0766-360.062

## Intinzatoare tip G-6311

### Specificatii tehnice

- Material : Otel forjat SAE 1035 sau 1045
- Factor de siguranta : MBL inseamna 5 X sarcina maxima de lucru
- Standard : ASTM F1145-92 sau U.S. Federal Specification FF-T-791b
- Finisaj : baie galvanizata
- Certificare : Se elibereaza certificat de lucru sau de test la cerere



**Tabel cu dimensiuni**

Portanta	Diametru filet	Take-up	Lungime intinzator inchis	Lungime intinzator deschis	Lungime	Diametru	Latime interioara	Lungime interioara	Lungime intinzator inchis	Greutate
tone	a mm	mm	b mm	c mm	d mm	e mm	f mm	g mm	h mm	kg
0.54	9-10	152.4	302	416	180	9	13	28	65	0.47
1	13	152.4	338	452	190	12	18	36	80	0.84
1	13	228.6	414	585	270	12	18	36	80	1.05
1	13	304.8	490	719	345	12	18	36	80	1.26
1.59	16	152.4	394	508	205	14	21	43	98	1.35
1.59	16	228.6	470	641	280	14	21	43	98	1.60
1.59	16	304.8	546	775	355	14	21	43	98	1.92
2.36	18-20	152.4	432	546	210	17	25	53	113	2.03
2.36	18-20	228.6	508	679	285	17	25	53	113	2.49
2.36	18-20	304.8	584	813	365	17	25	53	113	2.65
2.36	18-20	457.2	737	1080	520	17	25	53	113	3.06
3.27	22	304.8	625	854	375	20	31	59	118	3.98
3.27	22	457.2	778	1121	530	20	31	59	118	5.12
4.54	24-25	152.4	524	638	230	22	36	74	155	4.35
4.54	24-25	304.8	676	905	385	22	36	74	155	5.92
4.54	24-25	457.2	829	1172	540	22	36	74	155	7.17
4.54	24-25	609.6	980	1437	690	22	36	74	155	7.52
6.91	32-34	304.8	760	989	390	29	45	88	197	9.8
6.91	32-34	457.2	912	1255	540	29	45	88	197	11.31
6.91	32-34	609.6	1064	1521	690	29	45	88	197	12.1
9.71	38-40	304.8	823	1052	400	32	54	105	215	14.2
9.71	38-40	457.2	975	1318	560	32	54	105	215	16.5
9.71	38-40	609.6	1128	1585	710	32	54	105	215	17.1
12.71	44-46	457.2	1060	1403	575	38	60	119	254	23.1
12.71	44-46	609.6	1213	1670	725	38	60	119	254	26.3
16.78	48-52	609.6	1315	1772	750	45	69	146	308	40.7
27.22	62-65	609.6	1486	1943	800	51	79	165	344	64
34.02	68-72	609.6	1562	2019	800	57	83	178	381	88