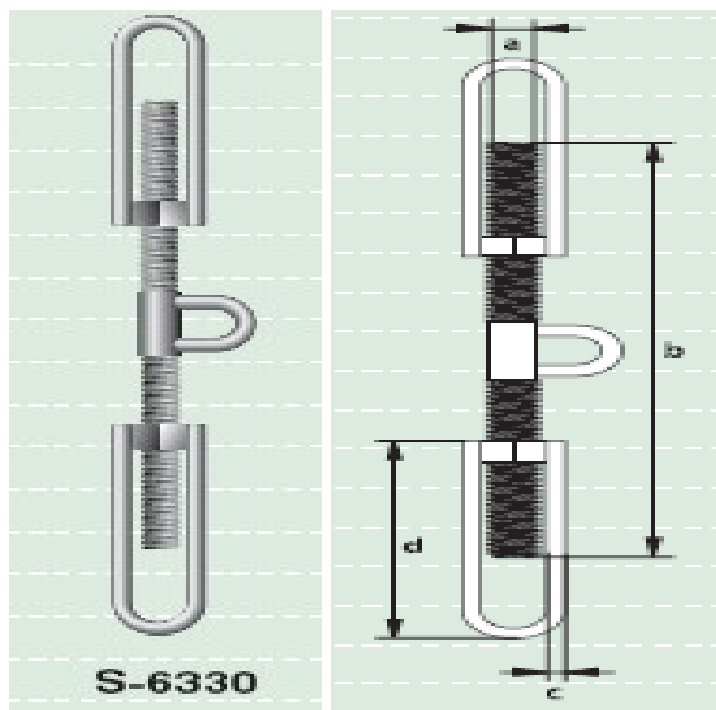




Intinzatoare tip S-6330

Specificatii tehnice

- Material : Otel
- Finisaj : vopsit



Tabel cu dimensiuni

| Sarcina minima de rupere | Diametru filet | Lungime filet | Diametru arc | Lungime arc | Greutate per piesa |
|--------------------------|----------------|---------------|--------------|-------------|--------------------|
| tone | a mm | b mm | c mm | d mm | kg |
| 13 | 24 | 400 | 16 | 210 | 3 |
| 13 | 24 | 500 | 16 | 260 | 3.8 |
| 18 | 27 | 400 | 18 | 210 | 4.4 |
| 18 | 27 | 500 | 18 | 260 | 5.5 |
| 20 | 30 | 400 | 20 | 210 | 5 |
| 20 | 30 | 500 | 20 | 260 | 6.3 |
| 21 | 36 | 400 | 20 | 210 | 7 |
| 21 | 36 | 500 | 20 | 260 | 8.8 |