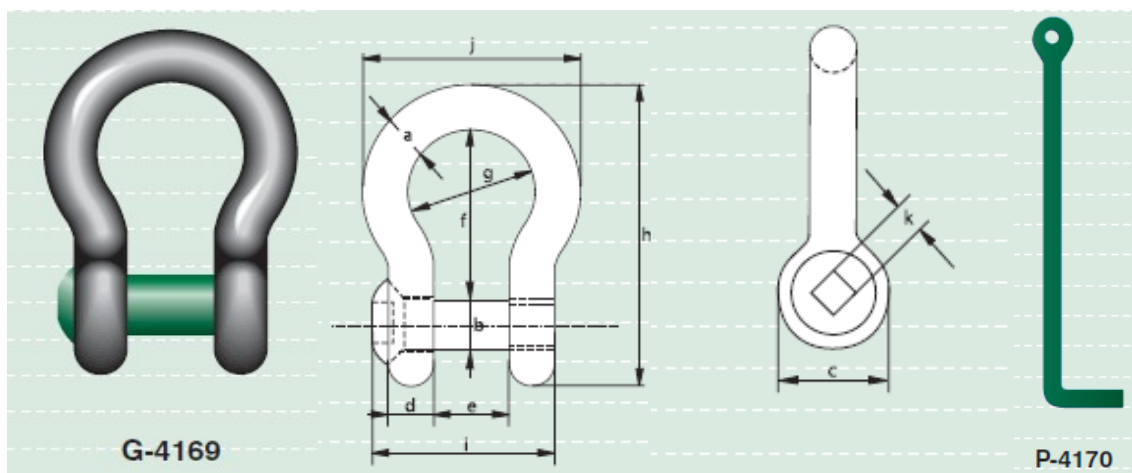




Chei de tachelaj omega cu cap pentru inbus tip G-4169

- Material : otel inalt aliat, Grad 6
- Factor de siguranta : MBL egal cu 6 x WLL
- Standard : US Fed RR-C-271 Grad A
- Produs finit : Galavanizat
- Certificate : Fara taxe suplimentare aceste produse sunt insotite la livrare de certificat marerial (materie prima), testul de sarcina sau declaratie de conformitate EC
- Nota : Inbusul se comanda separat



Tabel dimensiuni

working load limit	diameter bow	diameter pin	diameter eye	width eye	width inside	length inside	width bow	length	length bolt	width	size hole	weight each
tons	a	b	c	d	e	f	g	h	i	j	k	kg
	mm	mm	mm	mm	mm	mm	mm	mm	mm	mm	mm	
2	13.5	16	34	13.5	22	51	32	91	51	76	10	0.31
3.25	16	19	40	16	27	64	43	114	53	93	10	0.56
4.75	19	22	47	19	31	76	51	136	74	107	10	0.98
6.5	22	25	53	22	36	83	58	157	85	123	12	1.46
8.5	25	28	60	25	43	95	68	176	99	141	12	2.18
9.5	28	32	67	28	47	108	75	197	110	158	16	3.06
12	32	35	74	32	51	115	83	218	122	176	16	4.24
13.5	35	38	80	35	57	133	92	240	135	192	16	5.59
17	38	42	89	38	60	146	99	262	145	208	16	7.37