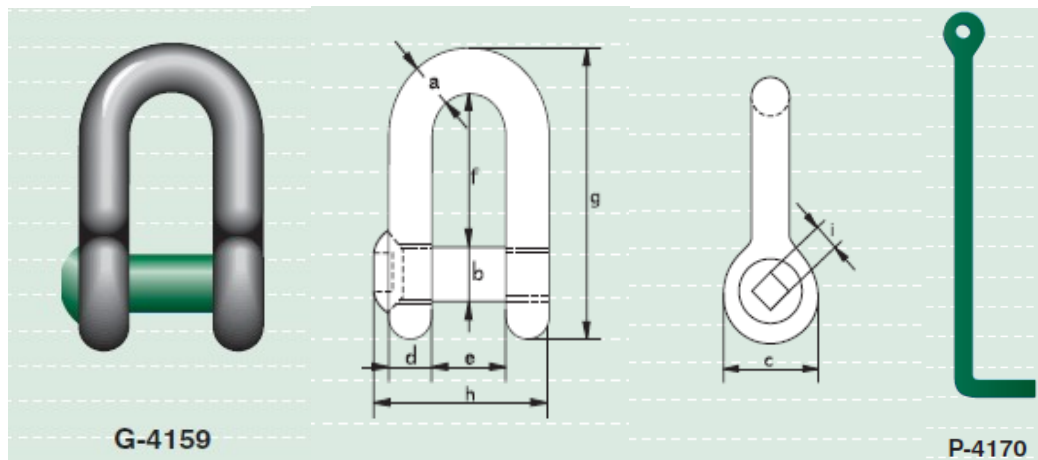




Chei de tachelaj drepte cu cap pentru inbus tip G-4159

- Material : otel inalt aliat, Grad 6
- Factor de siguranta : MBL egal cu 6 x WLL
- Standard : US Fed RR-C-271 Grad A
- Produs finit : Galvanizat
- Certificate : Fara taxe suplimentare aceste produse sunt insotite la livrare de certificat marerial (materie prima), testul de sarcina sau declaratie de conformitate EC
- Nota : Inbusul se comanda separat



Tabel dimensiuni

working load limit	diameter bow	diameter pin	diameter eye	width eye	width inside	length inside	length	length bolt	size hole	weight each
tons	a	b	c	d	e	f	g	h	i	kg
	mm	mm	mm	mm	mm	mm	mm	mm	mm	
2	13.5	16	34	13.5	22	43	85	51	10	0.34
3.25	16	19	40	16	27	51	105	53	10	0.6
4.75	19	22	47	19	31	59	125	74	10	0.98
6.5	22	25	53	22	36	73	144	85	12	1.26
8.5	25	28	60	25	43	85	161	99	12	2.14
9.5	28	32	67	28	47	90	179	110	16	3.05
12	32	35	74	32	51	94	199	122	16	3.56
13.5	35	38	80	35	57	115	220	135	16	5.17
17	38	42	89	38	60	127	239	145	16	6.84