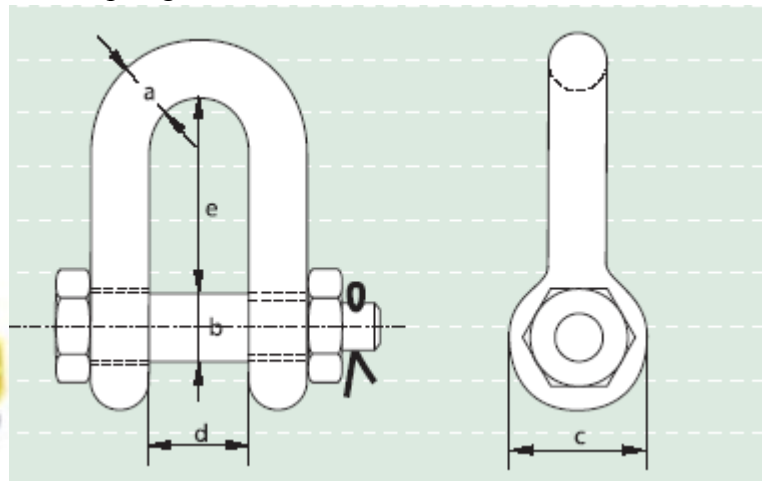




Chei de tachelaj drepte piulita si siguranta tip G-3153

- Material : otel inalt aliat, **Grad 6**
- Factor de siguranta : MBL egal cu 5xWLL
- Standard : conformitate cu specificatiile US Fed. RR-C-271
- Produs finit : Galvanizat, bolt vopsit galben



tons	a mm	b mm	c mm	d mm	e mm	kg
2	13	16	30	20	41	0.34
3.25	16	19	38	27	51	0.67
4.75	19	22	46	32	60	1.14
6.5	22	25	53	36	71	1.75
8.5	25	28	61	43	81	2.52
9.5	28	32	68	46	90	3.45
12	32	35	76	51	100	4.91
13.5	35	38	84	57	111	6.24
17	38	42	92	60	122	8.4
25	45	50	106	73	146	14.26