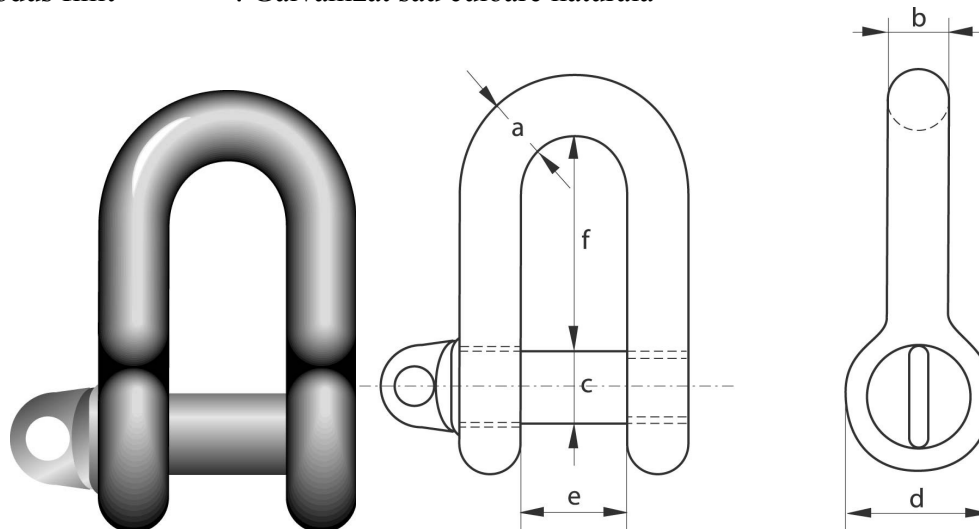




## Chei de tachelaj drepte tip A dupa DIN 82101 tip G-3351

- Material : otel inalt aliat, **Grad 4**
- Factor de siguranta : MBL egal cu 4xWLL
- Standard : in general cu DIN 82101 tip A
- Produs finit : Galvanizat sau culoare naturala



no.	working load limit	thickness bow	thickness bow	diameter pin	diameter eye	width inside	length inside	weight each
	tons	a mm	b mm	c mm	d mm	e mm	f mm	kg
0.1	0.1	5	4	5	10	7	15.5	0.017
0.16	0.16	6	5	6	12	8	18	0.024
0.25	0.25	8	7	8	16	11	24	0.054
0.4	0.4	10	8	10	20	14	30	0.097
0.6	0.63	12	10	12	24	17	36	0.18
1	1	15	13	16	32	21	49	0.3
1.6	1.6	19	17	20	40	27	61	0.57
2	2	21	19	22	44	30	67	0.975
2.5	2.5	23	21	24	48	33	73	1.3
3	3.15	26	24	27	54	38	83.5	1.85
4	4	29	27	30	60	42	91	2.53
5	5	33	30	36	72	47	111	4
6	6.3	37	34	39	78	53	119.5	5.3
8	8	41	38	45	90	60	139.5	7.9
10	10	45	42	48	96	66	147	10
12	12	50	47	52	104	73	158	13.5
16	16	55	52	60	120	81	185	19.2
20	20	61	58	68	136	90	211	28
25	25	67	63	72	144	100	221	34