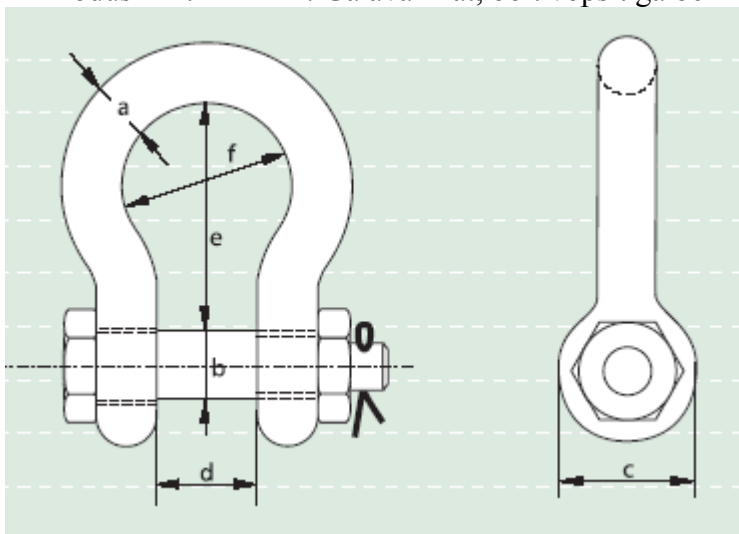




## Chei de tachelaj omega cu piulita si siguranta tip G-3163

- Material : otel inalt aliat, **Grad 6**
- Factor de siguranta : MBL egal cu 6xWLL
- Standard : conformitate cu specificatiile US Fed. RR-C-271
- Produs finit : Galvanizat, bolt vopsit galben



tons	a mm	b mm	c mm	d mm	e mm	f mm	kg
2	13	16	30	20	48	33	0.36
3.25	16	19	38	27	60	43	0.76
4.75	19	22	46	32	71	50	1.23
6.5	22	25	53	36	84	58	1.79
8.5	25	28	61	43	95	68	2.57
9.5	28	32	68	46	108	74	3.75
12	32	35	76	51	119	82	5.32
13.5	35	38	84	57	133	92	7.19
17	38	42	92	60	146	98	9.44
25	45	50	106	73	177	127	15.4