



Kinotech Industry

Galati - Romania
TEL./FAX: 0236-466.372
TEL./FAX: 0236-313.013

www.kinotech.ro

E-mail: office@kinotech.ro
Mobil: 0768-463.636
Mobil: 0723-694.919
Mobil: 0765-998.277
Mobil: 0766-360.062

Clipsuri (bride) tip E-6220

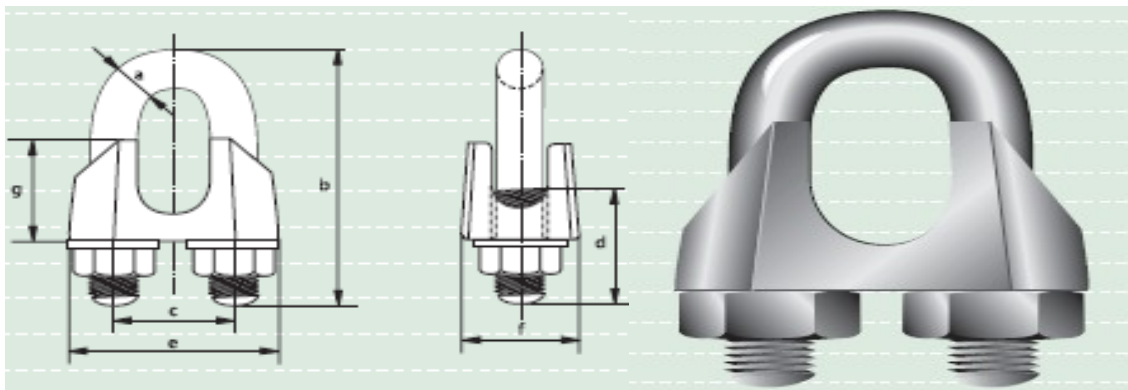
Material : Punte – Turnata

Bolt – Otel

Standard : DIN 741

Finisaj : Electro-galvanizare

Certificare : Certificatul de lucru poate fi eliberat la cerere



Diametru cablu	Diametru arc	Lungime arc	Latime interioara	Lungime filet	Lungime baza	Grosime baza	Inaltime baza.	Greutate 100 buc
mm	a mm	b mm	c mm	d mm	e mm	f mm	g mm	kg
3	4	20	9	12	21	10	10	1.4
5	5	24	11	13	23	11	10	1.5
6	5	28	13	15	26	12	11	2.1
8	6	34	16	19	30	14	15	4.1
10	8	42	19	22	34	18	17	6.8
11	8	44	20	22	36	19	18	7.2
13	10	55	24	30	42	23	21	13
14	10	57	25	30	44	23	22	13.5
16	12	63	29	33	50	26	26	21
19	12	75	32	38	54	29	30	28
22	14	85	37	44	61	33	34	40
26	14	95	41	45	65	35	37	44
30	16	110	48	50	74	37	43	66
34	16	120	52	55	80	42	50	85
40	16	140	58	60	88	45	55	104