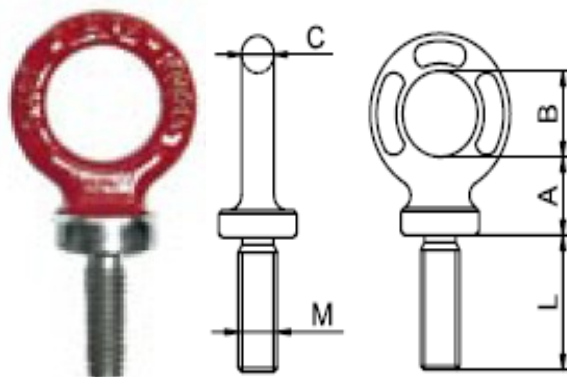


**Inel de otel (tata) tip AL**

- Material : Otel inalt aliat
- Standard : Incorporeaza 22 standarde ISO
- Produs finit : vopsit
- Nota : Unghiul trebuie sa fie mai mic de 30°
Factor de siguranta – 5:1

**Tabel dimensiuni**

Code	WLL	Ø ISO M x Pitch	Unma- chined	Dimensions in mm				BF	Weight
				t	mm	Ø	A		
AL 6	0.20	M6 x 1.00	12	18	20	20	6	1.0	0.05
AL 8	0.40	M8 x 1.25	12	16	20	24	7	2.0	0.05
AL 10	0.70	M10 x 1.50	14	19	22	30	8	3.5	0.07
AL 12	1.00	M12 x 1.75	16	23	27	36	10	5.0	0.13
AL 14	1.20	M14 x 2.00	18	28	30	40	14	6.0	0.24
AL 16	1.50	M16 x 2.00	22	30	35	55	14	7.5	0.36
AL 18	2.00	M18 x 2.50	22	30	35	54	14	10.0	0.38
AL 20	2.50	M20 x 2.50	26	34	40	59	16	12.5	0.55
AL 22	3.00	M22 x 2.50	29	38	45	66	19	15.0	0.73
AL 24	4.00	M24 x 3.00	30	40	55	84	20	20.0	1.08
AL 27	5.00	M27 x 3.00	30	42	55	81	20	25.0	1.18
AL 30	6.00	M30 x 3.50	40	49	60	100	24	30.0	1.87
AL 33	7.00	M33 x 3.50	40	49	60	100	24	35.0	1.99
AL 36	8.00	M36 x 4.00	41	45	68	118	25	40.0	2.44
AL 39	9.00	M39 x 4.00	41	45	68	118	25	45.0	2.58
AL 42	10.00	M42 x 4.50	50	56	80	135	31	50.0	3.97
AL 45	15.00	M45 x 4.50	50	56	80	135	31	75.0	4.23
AL 48	18.00	M48 x 5.00	72	63	97	145	42	90.0	8.33
AL 52	20.00	M52 x 5.00	72	63	97	145	42	100.0	8.80
AL 56	25.00	M56 x 5.50	72	63	97	145	42	125.0	9.00
AL 60	30.00	M60 x 5.50	72	63	97	145	42	150.0	9.50
AL 64	36.00	M64 x 6.00	72	63	97	145	42	180.0	9.75