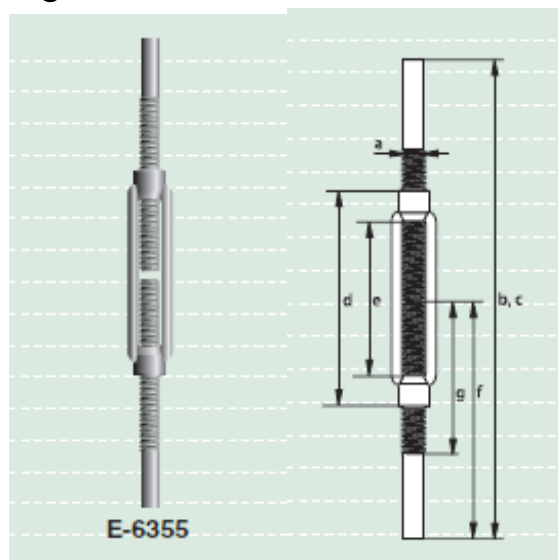




Intinzatoare cu capete sudabile tip E-6355

Specificatii tehnice

- Material : Otel moale
- Standard: DIN 1480
- Finisaj : electro-galvanizat



Tabel cu dimensiuni

diameter thread	length closed position	length open position	length body	length body inside	length stub-ends	length thread	weight per 100 pcs
a	b	c	d	e	f	g	kg
mm	mm	mm	mm	mm	mm	mm	
6	240	326	110	86	120	65	9.3
8	240	320	110	80	120	65	14
10	300	389	125	89	150	75	29
12	300	383	125	83	150	75	40
14	330	420	140	90	165	85	66
16	400	516	170	116	200	100	89
20	440	572	200	132	220	120	160
22	440	585	220	145	220	130	227
24	520	697	255	177	260	150	282
30	520	685	255	165	260	160	423