

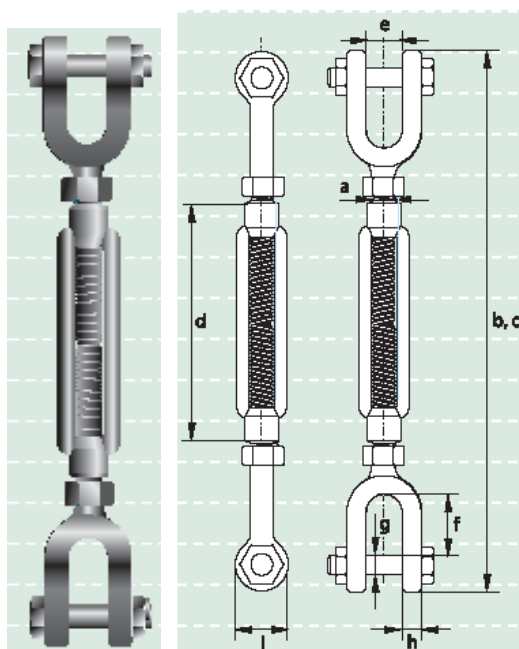


Intinzatoare furca-furca tip E-6353

Specificatii tehnice

- Material : Otel forjat
- Standard : DIN 1480
- Finisaj : Electro galvanizat

Tabel cu dimensiuni



diameter thread	length closed position	length open position	length body	opening jaw	length inside	diameter pin	thickness jaw eye	diameter jaw eye	weight per pce
a	b	c	d	e	f	g	h	i	kg
mm	mm	mm	mm	mm	mm	mm	mm	mm	
6	191	277	110	7.5	12	M 6	5	13	0.16
8	194	274	110	8.5	12	M 6	6	14	0.21
10	236	325	125	11	16	M 8	8	18	0.38
12	266	349	125	13	20	M 10	10	24	0.66
14	316	406	140	16	30	M 12	12	28	1.15
16	374	490	170	18	38	M 12	12	32	1.45
20	438	570	200	20	42	M 16	16	38	2.61
22	466	611	220	22	44	M 18	18	40	3.24
24	514	691	255	24	46	M 20	20	42	4.35
30	544	709	255	30	50	M 24	22	46	6.48