

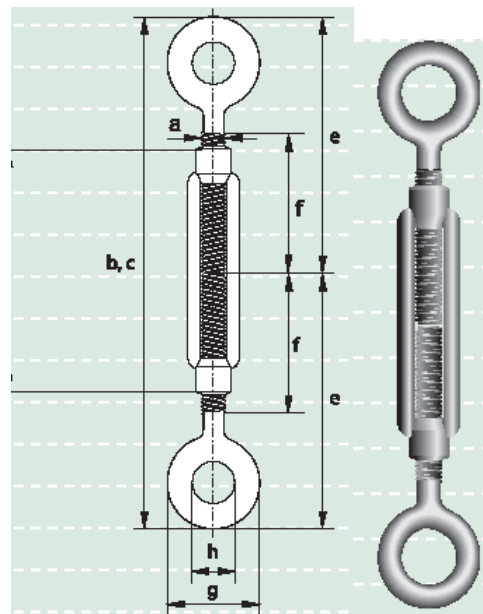


## Intinzatoare ochi-ochi tip E-6351

### Specificatii tehnice

- Material : Otel forjat
- Standard : DIN 1480
- Finisaj : Electro galvanizat

### Tabel cu dimensiuni



diameter thread	length closed position	length open position	length body	length endfitting	length thread	diameter eye outside	diameter eye inside	weight per pce
a	b	c	d	e	f	g	h	kg
mm	mm	mm	mm	mm	mm	mm	mm	
6	160	246	110	80	55	20	9	0.11
8	168	248	110	84	57	22	10	0.2
10	210	300	125	105	68	31	14	0.28
12	222	305	125	110	70	35	16	0.43
14	244	334	140	123	75	40	18	0.61
16	300	416	170	143	88	47	22	1
20	334	466	200	165	105	52	24	1.6
22	372	527	220	185	118	60	27	2.2
24	410	587	255	208	135	65	27	2.8
30	440	605	255	220	135	71	31	4.1
33	490	690	295	245	148	88	36	6
36	554	740	295	277	158	94	38	8.5