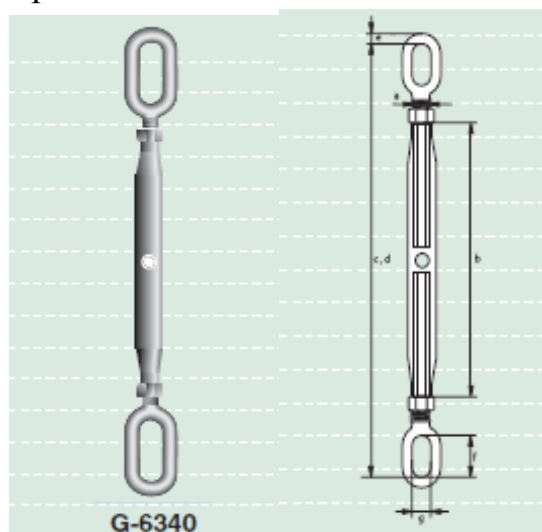




Intinzatoare ochi-ochi tip G-6340

Specificatii tehnice

- Material : Otel moale
- Factor de siguranta: MBL egal 5xWLL
- Finisaj : Baie galvanizata
- Nota: Ochiurile pentru diametrul 6-8mm sunt electro-galvanizate



Tabel cu dimensiuni

working load limit	diameter thread	length body	length closed position	length open position	diameter	length eye inside	width eye inside	weight per pce
tons	a mm	b mm	c mm	d mm	e mm	f mm	g mm	kg
0.2	6	100	165	245	5.5	11	11	0.13
0.32	8	108	178	261	6	12	12	0.2
0.5	10	125	210	308	8.5	13	13	0.6
0.7	12	195	325	484	11	30	15	0.8
1.2	16	230	380	564	12	40	20	1.4
1.5	20	270	455	673	16	50	24	2.4
2.2	22	295	495	736	16	50	24	3
3.2	24	325	545	806	19	56	28	4
4.8	33	370	665	961	29	70	35	9
6	39	400	725	1032	34	80	40	11.5
8.5	45	400	760	1050	30	90	45	20.8
11	48	400	820	1110	35	100	45	24