



Kinotech Industry

Galati - Romania
TEL./FAX: 0236-466.372
TEL./FAX: 0236-313.013

www.kinotech.ro

E-mail: office@kinotech.ro

Mobil: 0768-463.636

Mobil: 0723-694.919

Mobil: 0765-998.277

Mobil: 0766-360.062

OPRITOR LANT NAVAL TIP FURCA TF1

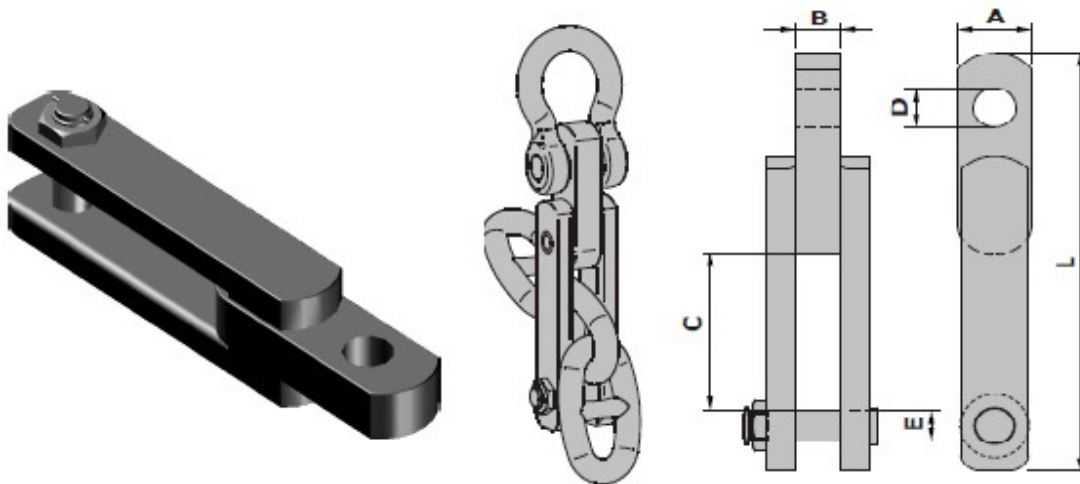
Material: otel

Factor de siguranta: 4

Finisaj: vopsit

Certificate: Certificat 3,1B

Certificat de suprasarcina



Tabel cu dimensiuni

Art.no.	Chain inch	SWL ton	D mm	B mm	C mm	A mm	L mm	E mm	Weight kg
46000001	2 ½	55	75	75	275	120	763	60	
46000002	2 ¾	85	85	85	300	135	843	60	
46000003	3	110	98	95	330	140	928	70	
46000004	3 ¼	110	98	100	360	160	1003	80	
46000005	3 ½	120	98	110	390	170	1063	85	
46000006	3 ¾	120	98	115	410	175	1091	85	
46000007	4	150	115	120	440	200	1252	90	

Tolerance \pm 5%