



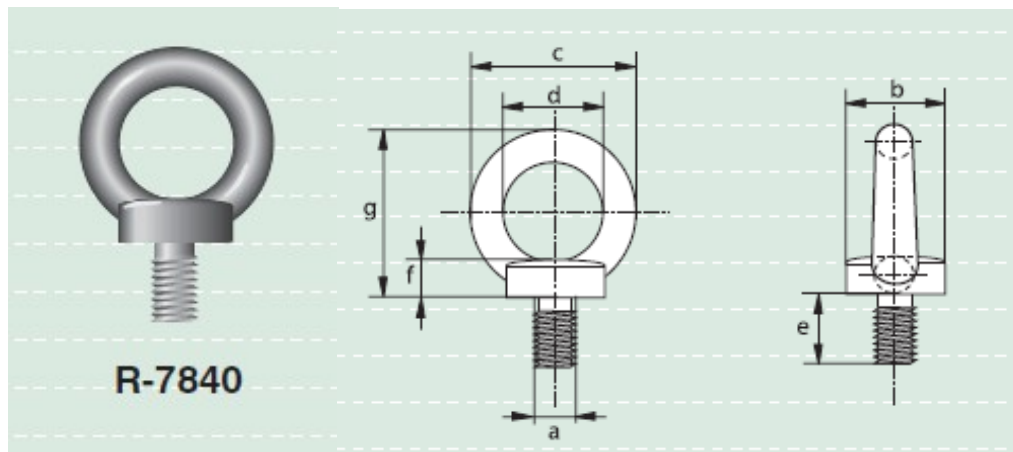
Kinotech Industry

Galati - Romania
TEL./FAX: 0236-466.372
TEL./FAX: 0236-313.013

www.kinotech.ro
E-mail: office@kinotech.ro
Mobil: 0768-463.636
Mobil: 0723-694.919
Mobil: 0765-998.277
Mobil: 0766-360.062

Inel tata R-7840

- Material : AISI 316
- Standard : DIN 580
- Produs finit : Polisat



Tabel cu dimensiuni

diameter thread	diameter base	diameter eye outside	diameter eye inside	length thread	thickness base	height	weight per 100 pcs
a mm	b mm	c mm	d mm	e mm	f mm	g mm	kg
M 6	20	36	20	13	6	36	3
M 8	20	36	20	13	6	36	6
M 10	25	45	25	17	8	45	10.3
M 12	30	54	30	20.5	10	53	17.7
M 16	35	63	35	27	12	62	28