



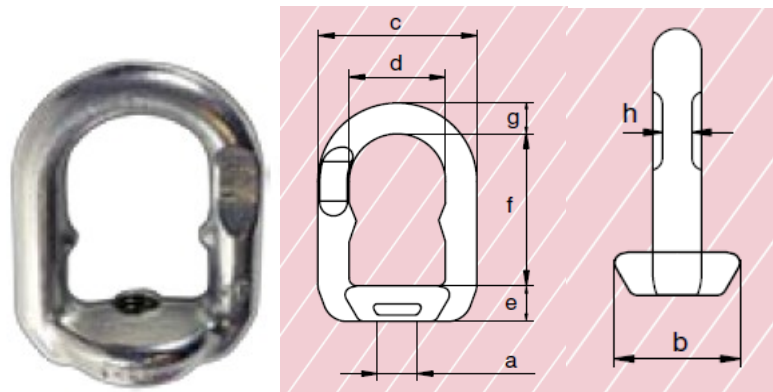
## Inel mama tip ELI

Material: AISI 316L

Factor de siguranta: 5

Finisaj: polisat

Certificare: certificat de testare se poate elibera la cerere



### Tabel cu dimensiuni

partnumber	working load limit	diameter thread	diameter base	width	width inside	thickness base	length inside	diameter	thickness	weight each
	<b>t</b>	<b>a</b>	<b>b</b>	<b>c</b>	<b>d</b>	<b>e</b>	<b>f</b>	<b>g</b>	<b>h</b>	
		mm	mm	mm	mm	mm	mm	mm	mm	kg
EL12I	0.6	M12	39	56	31	15	48	12	7	0.23
EL14I	0.8	M14	39	56	31	15	48	12	7	0.23
EL16I	1	M16	44	66	36	17	60	14	9	0.37
EL18I	1.5	M18	44	66	36	17	60	14	9	0.37
EL20I	2	M20	44	66	36	17	60	14	9	0.37
EL22I	2.5	M22	52	81	47	21	75	17	11	0.63
EL24I	3	M24	52	81	47	21	75	17	11	0.63
EL27I	3.5	M27	52	81	47	21	75	17	11	0.63