



Kinotech Industry

Galati - Romania
TEL./FAX: 0236-466.372
TEL./FAX: 0236-313.013

www.kinotech.ro

E-mail: office@kinotech.ro

Mobil: 0768-463.636

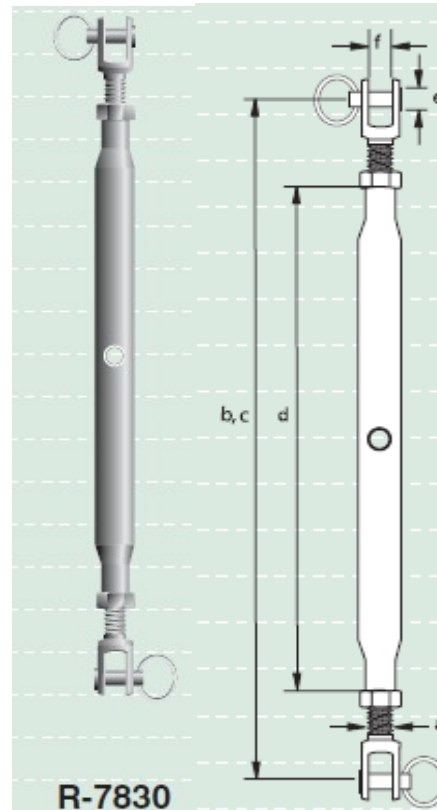
Mobil: 0723-694.919

Mobil: 0765-998.277

Mobil: 0766-360.062

Intinzator inox furca-furca R-7830

- Material : AISI 316
- Produs finit : Polisat



Tabel cu dimensiuni

diameter thread	length open	length closed	length body	diameter pin	width jaw inside	weight per 100 pcs
a	b	c	d	e	f	kg
mm	mm	mm	mm	mm	mm	kg
M 5	190	125	80	5.2	6	6.5
M 6	210	155	95	6.2	7.5	8.1
M 8	240	180	105	8.7	10	13.9
M10	270	220	125	9.7	12	25.3
M12	360	255	150	12.7	14	57.3
M14	385	270	165	12.7	14	64
M16	450	320	190	16	16	94.2
M20	450	355	210	19	20	145