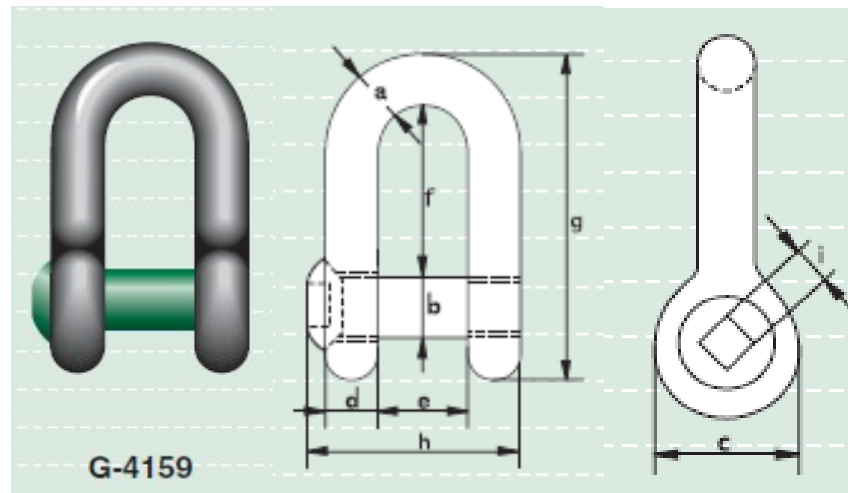




## Green Pin Sunken Hole Shackles – dee shackles with safety bolt dee shackles with square hole screw pin code G-4159

- **Material** : bow and pin high tensile steel, Grade 6, quenched and tempered
- **Safety Factor** : MBL equals 6 x WLL
- **Standard** : meets performance requirements of US Fed. Spec. RR-C-271, Grade A
- **Finish** : hot dipped galvanized
- **Certification** : at no extra charges this product can be supplied with a works certificate, certificate of basic raw material, manufacturer test certificate and/or EC Declaration of Conformity
- **Note** : key for unscrewing the pin must be ordered separately



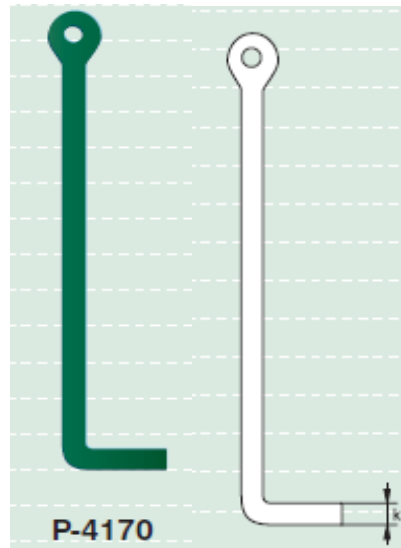
working load limit	diameter bow	diameter pin	diameter eye	width eye	width inside	length inside	length	length bolt	size hole	weight each
tons	a	b	c	d	e	f	g	h	i	kg
	mm	mm	mm	mm	mm	mm	mm	mm	mm	
2	13.5	16	34	13.5	22	43	85	51	10	0.34
3.25	16	19	40	16	27	51	105	53	10	0.6
4.75	19	22	47	19	31	59	125	74	10	0.98
6.5	22	25	53	22	36	73	144	85	12	1.26
8.5	25	28	60	25	43	85	161	99	12	2.14
9.5	28	32	67	28	47	90	179	110	16	3.05
12	32	35	74	32	51	94	199	122	16	3.56
13.5	35	38	80	35	57	115	220	135	16	5.17
17	38	42	89	38	60	127	239	145	16	6.84



**Kinotech Industry**

Galati - Romania  
 TEL./FAX: 0236-466.372  
 TEL./FAX: 0236-313.013

www.kinotech.ro  
 E-mail: office@kinotech.ro  
 Mobil: 0768-463.636  
 Mobil: 0723-694.919  
 Mobil: 0765-998.277  
 Mobil: 0766-360.062



In inch

working load limit	diameter bow	diameter pin	diameter eye	width eye	width inside	length inside	width bow	length	length bolt	width	size hole	weight each
tons	a	b	c	d	e	f	g	h	i	j	k	lbs
2	1/2	5/8	1 11/32	17/32	7/8	2	1 9/32	3 19/32	2	3	3/8	0.68
3.25	5/8	3/4	1 19/32	5/8	1 3/32	2 17/32	1 23/32	4 1/2	2 3/32	3 11/16	3/8	1.23
4.75	3/4	7/8	1 7/8	3/4	1 1/4	3	2	5 3/8	2 29/32	4 1/4	3/8	2.16
6.5	7/8	1	2 3/32	7/8	1 7/16	3 9/32	2 9/32	6 3/16	3 11/32	4 7/8	1/2	3.22
8.5	1	1 1/8	2 11/32	1	1 23/32	3 3/4	2 11/16	6 7/8	3 29/32	5 9/16	1/2	4.81
9.5	1 1/8	1 1/4	2 5/8	1 1/8	1 7/8	4 1/4	2 15/16	7 3/4	4 5/16	6 1/4	5/8	6.75
12	1 1/4	1 3/8	2 29/32	1 9/32	2	4 17/32	3 9/32	8 19/32	4 13/16	7	5/8	9.35
13.5	1 3/8	1 1/2	3 5/32	1 3/8	2 1/4	5 1/4	3 5/8	9 7/16	5 5/16	7 9/16	5/8	12.32
17	1 1/2	1 5/8	3 1/2	1 17/32	2 11/32	5 3/4	3 7/8	10 5/16	5 3/4	8 3/16	5/8	16.25