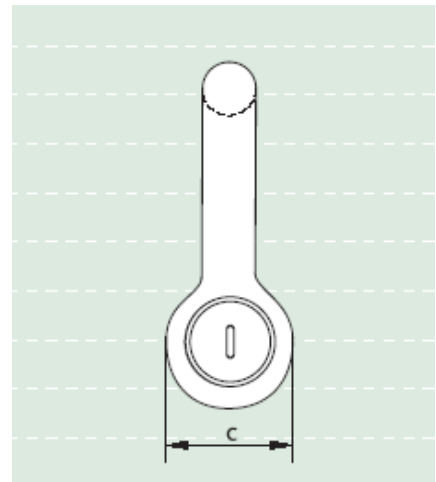
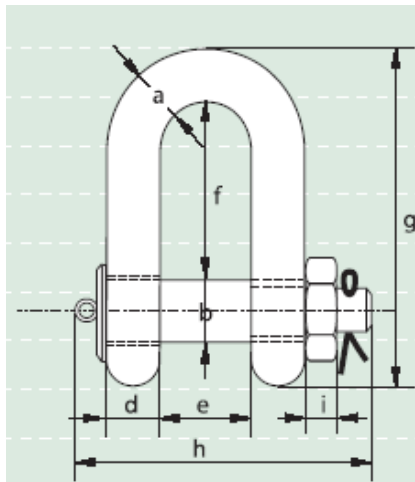
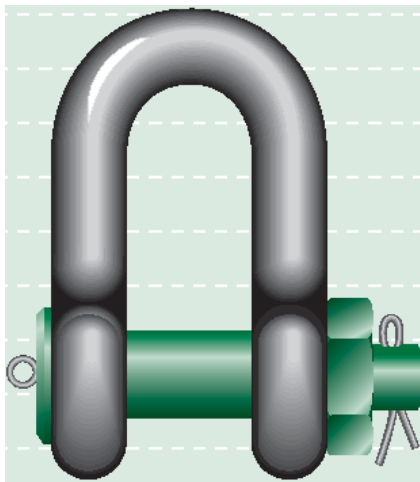




Green Pin Heavy Duty Shackles – dee shackles with safety bolt code G-6038

- **Material** : bow and pin alloy steel, Grade 8, quenched and tempered
- **Safety Factor** : MBL equals 5 x WLL
- **Finish** : hot dipped galvanized
- **Certification** : at no extra charges this product can be supplied with a works certificate, certificate of basic raw material, manufacturer test certificate and/or EC Declaration of Conformity
- **Note** : +5% forging tolerance on inside width and length



working load limit	diameter bow	diameter pin	diameter eye	width eye	width inside	length inside	length	length bolt	thickness nut	weight each
tons	a mm	b mm	c mm	d mm	e mm	f mm	g mm	h mm	i mm	kg
120	95	95	215	89	144	267	530	440	50	110