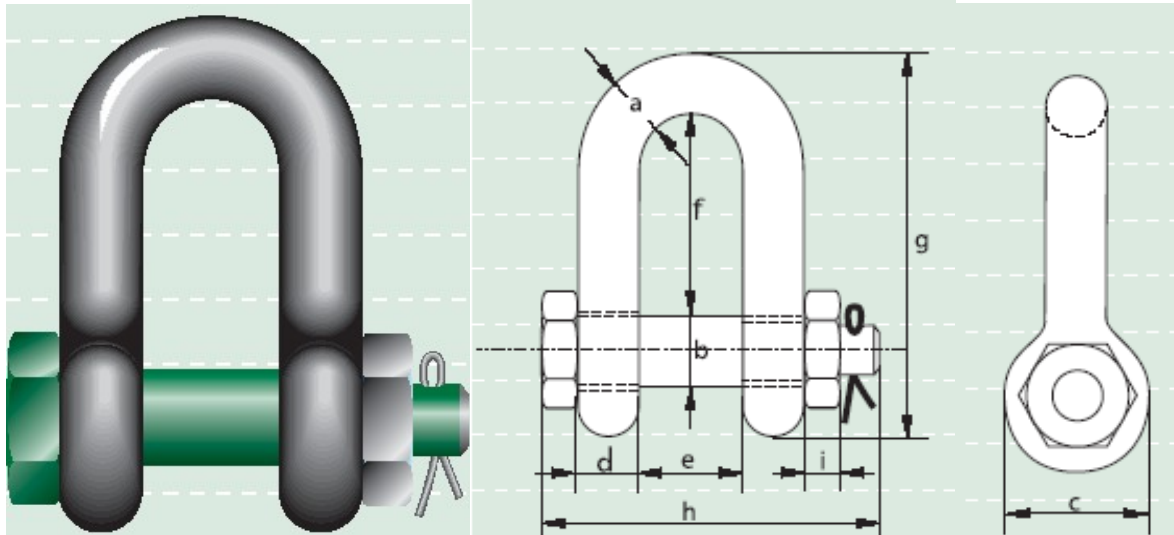




Green Pin Standard Shackles – dee shackles with safety bolt code G-4153

- **Material** : bow and pin high tensile steel, Grade 6, quenched and tempered
- **Safety Factor** : MBL equals 6 x WLL
- **Standard** : EN 13889 and
 meets performance requirements of US Fed. Spec. RR-C-271 Type IVB Class 3, Grade A
- **Finish** : hot dipped galvanized
- **Temperature Range** : -20 °C up to +200 °C
- **Certification** : at no extra charges this product can be supplied with a works certificate, certificate of basic raw material, manufacturer test certificate and/or EC Declaration of Conformity



working load limit	diameter bow	diameter pin	diameter eye	width eye	width inside	length inside	length	length bolt	thickness nut	weight each
tons	a mm	b mm	c mm	d mm	e mm	f mm	g mm	h mm	i mm	kg
2	13.5	16	34	13.5	22	43	85	83	13	0.39
3.25	16	19	40	16	27	51	105	99	17	0.67
4.75	19	22	47	19	31	59	125	115	20	1.08
6.5	22	25	53	22	36	73	144	131	23	1.66
8.5	25	28	60	25	43	85	161	151	25	2.46
9.5	28	32	67	28	47	90	179	167	28	3.4
12	32	35	74	32	51	94	199	179	31	4.51
13.5	35	38	80	35	57	115	220	198	34	6.1
17	38	42	89	38	60	127	239	202	19	7.63
25	45	50	104	45	74	149	283	244	24	13.25
35	50	57	111	50	83	171	333	270	27	18.53
42.5	57	65	134	57	95	190	360	302	30	25.94
55	65	70	145	65	105	203	399	330	33	35.33
85	75	83	163	75	127	229	455	376	40	52.97