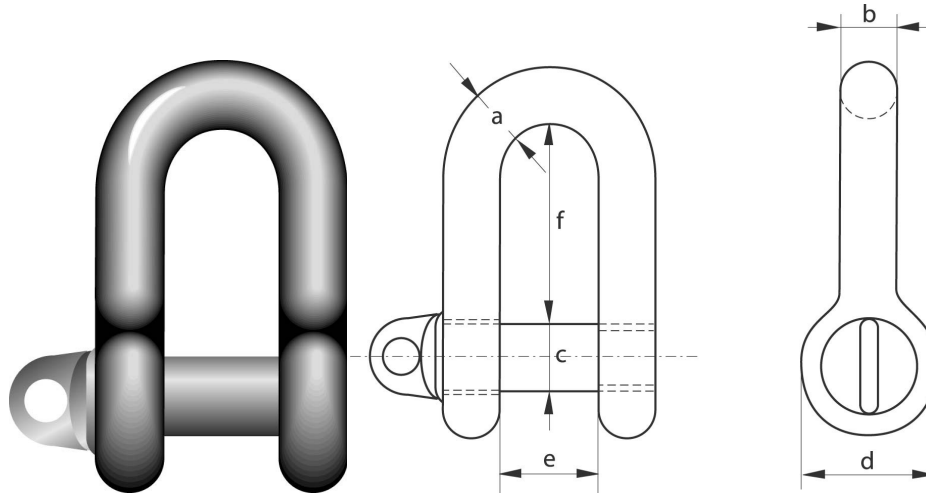




Shackles DIN 82101 type A – dee shackles with screw collar pin code G-3351

- **Material** : bow and pin high tensile steel, Grade 4
- **Safety Factor** : MBL equals 4 x WLL
- **Standard** : generally to DIN 82101 type A
- **Finish** : hot dipped galvanized or self coloured
- **Certification** : at no extra charges this product can be supplied with a works certificate and/or certificate of basic raw material
- **Note** : shackle no. 0.1 will not have any markings as it is too small



no.	working load limit	thickness bow	thickness bow	diameter pin	diameter eye	width inside	length inside	weight each
	tons	a mm	b mm	c mm	d mm	e mm	f mm	kg
0.1	0.1	5	4	5	10	7	15.5	0.017
0.16	0.16	6	5	6	12	8	18	0.024
0.25	0.25	8	7	8	16	11	24	0.054
0.4	0.4	10	8	10	20	14	30	0.097
0.6	0.63	12	10	12	24	17	36	0.18
1	1	15	13	16	32	21	49	0.3
1.6	1.6	19	17	20	40	27	61	0.57
2	2	21	19	22	44	30	67	0.975
2.5	2.5	23	21	24	48	33	73	1.3
3	3.15	26	24	27	54	38	83.5	1.85
4	4	29	27	30	60	42	91	2.53
5	5	33	30	36	72	47	111	4
6	6.3	37	34	39	78	53	119.5	5.3
8	8	41	38	45	90	60	139.5	7.9
10	10	45	42	48	96	66	147	10
12	12	50	47	52	104	73	158	13.5
16	16	55	52	60	120	81	185	19.2
20	20	61	58	68	136	90	211	28
25	25	67	63	72	144	100	221	34