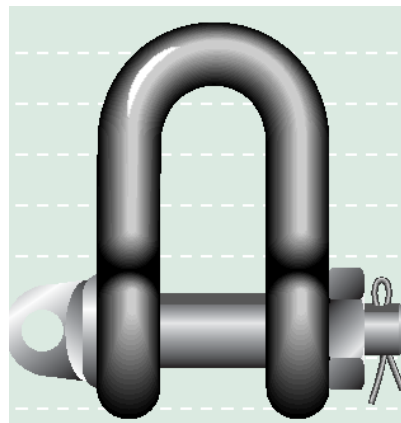
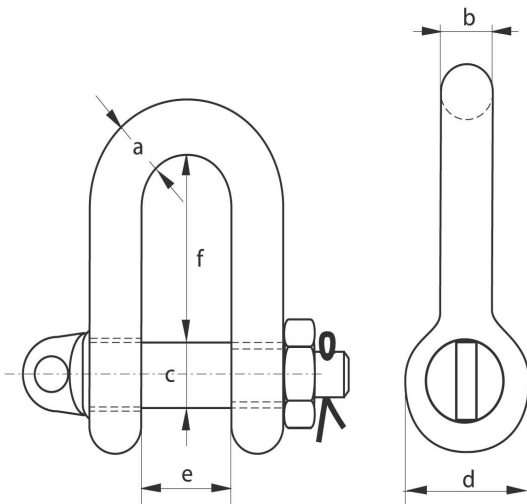
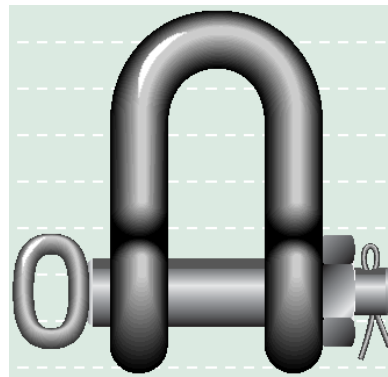
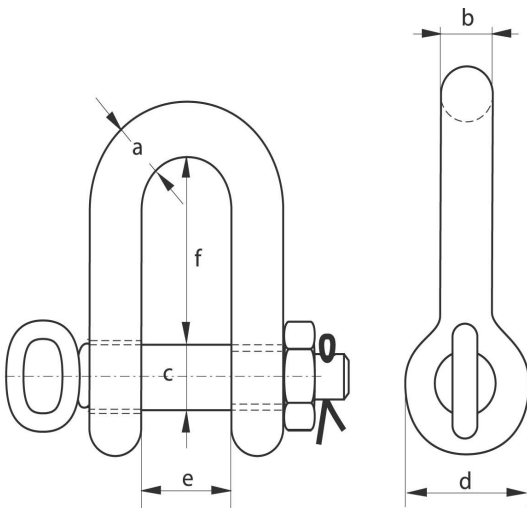




Shackles DIN 82101 type C – dee shackles with safety bolt code G-3356

- **Material** : bow and pin high tensile steel, Grade 4
- **Safety Factor** : MBL equals 4 x WLL
- **Standard** : generally to DIN 82101 type C
- **Finish** : hot dipped galvanized or self coloured
- **Certification** : at no extra charges this product can be supplied with a works certificate and/or certificate of basic raw material
- **Note** : with screw collar pin : up to size no. 25
with hand-grip : from size no. 32





Kinotech Industry

Galati - Romania
TEL./FAX: 0236-466.372
TEL./FAX: 0236-313.013

www.kinotech.ro
E-mail: office@kinotech.ro
Mobil: 0768-463.636
Mobil: 0723-694.919
Mobil: 0765-998.277
Mobil: 0766-360.062

no.	working load limit	thickness bow	thickness bow	diameter pin	diameter eye	width inside	length inside	weight each
	tons	a mm	b mm	c mm	d mm	e mm	f mm	kg
0.4	0.4	10	8	10	20	14	30	0.113
0.6	0.63	12	10	12	24	17	36	0.2
1	1	15	13	16	32	21	49	0.37
1.6	1.6	19	17	20	40	27	61	0.686
2	2	21	19	22	44	30	67	1.125
2.5	2.5	23	21	24	48	33	73	1.5
3	3.15	26	24	27	54	38	83.5	2.15
4	4	29	27	30	60	42	91	2.93
5	5	33	30	36	72	47	111	4.7
6	6.3	37	34	39	78	53	119.5	6.33
8	8	41	38	45	90	60	139.5	8.5
10	10	45	42	48	96	66	147	10.8
12	12	50	47	52	104	73	158	14.4
16	16	55	52	60	120	81	185	20.5
20	20	61	58	68	136	90	211	29.5
25	25	67	63	72	144	100	221	36
32	32	74	70	80	160	110	246	49
40	40	84	79	90	180	125	276	75
50	50	93	88	100	200	140	307	100
63	63	101	96	110	220	155	339	140
80	80	115	110	125	250	175	385.5	200
100	100	130	125	140	280	200	430	280