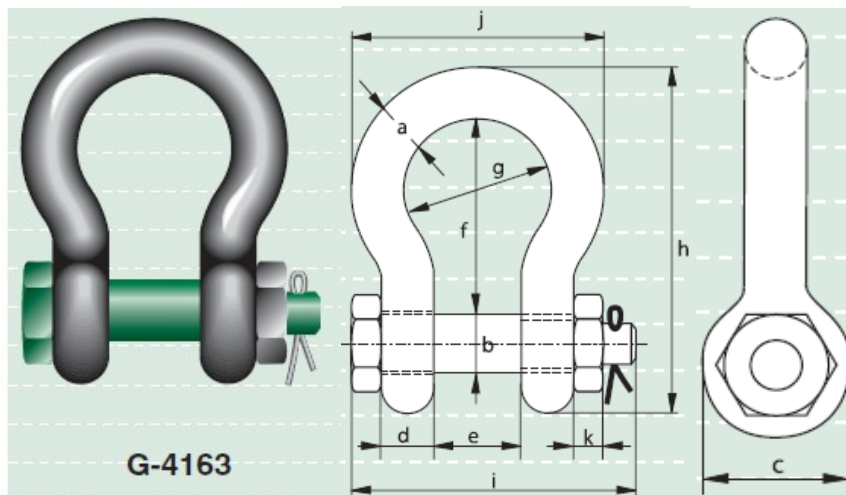




## Green Pin Standard Shackles – bow shackles with safety bolt type G-4163

- **Material** : bow and pin high tensile steel, Grade 6, quenched and tempered
- **Safety Factor** : MBL equals 6 x WLL
- **Standard** : EN 13889 and  
meets performance requirements of US Fed. Spec. RR-C-271 Type IVA Class 3, Grade A
- **Finish** : hot dipped galvanized
- **Temperature Range** : -20°C up to +200°C
- **Certification** : at no extra charges this product can be supplied with a works certificate, certificate of basic raw material, manufacturer test certificate and/or EC Declaration of Conformity



working load limit	diameter bow	diameter pin	diameter eye	width eye	width inside	length inside	width bow	length	length bolt	width	thickness nut	weight each
tons	a	b	c	d	e	f	g	h	i	j	k	kg
	mm	mm	mm	mm	mm	mm	mm	mm	mm	mm	mm	
0.5	7	8	17	7	12	29	20	54	43	37	4	0.06
0.75	9	10	21	9	13.5	32	22	61	51	42	5	0.11
1	10	11	23	10	17	36.5	26	71	61	49	8	0.16
1.5	11	13	26	11	19	43	29	80	68	54	11	0.22
2	13.5	16	34	13.5	22	51	32	91	83	63	13	0.42
3.25	16	19	40	16	27	64	43	114	99	79	17	0.74
4.75	19	22	47	19	31	76	51	136	115	94	20	1.18
6.5	22	25	53	22	36	83	58	157	131	107	23	1.77
8.5	25	28	60	25	43	95	68	176	151	124	25	2.58
9.5	28	32	67	28	47	108	75	197	167	137	28	3.66
12	32	35	74	32	51	115	83	218	179	154	31	4.91
13.5	35	38	80	35	57	133	92	240	198	170	34	6.54
17	38	42	89	38	60	146	99	262	202	183	19	8.19
25	45	50	104	45	74	178	126	314	244	226	24	14.22
35	50	57	111	50	83	197	138	358	270	250	27	19.85
42.5	57	65	134	57	95	222	160	414	302	287	30	28.33
55	65	70	145	65	105	260	180	463	330	329	33	39.59
85	75	83	163	75	127	329	190	556	376	355	40	62