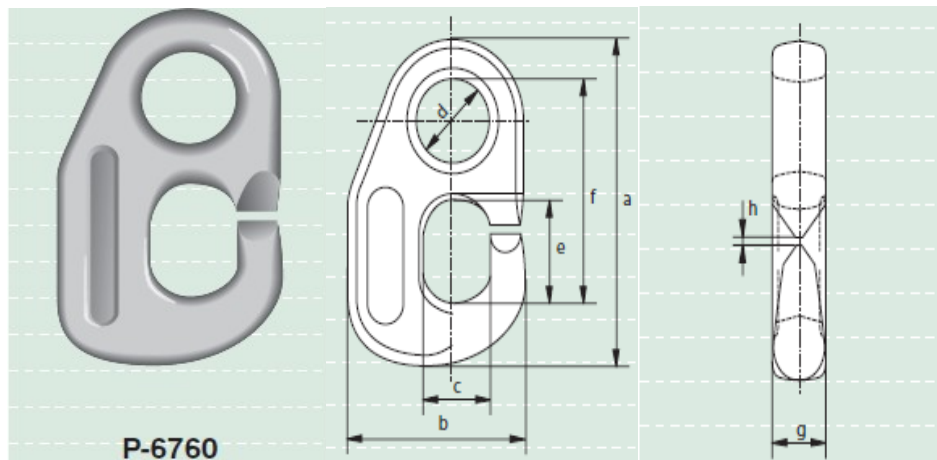




## Viking hooks with tapered opening Type P-6760

- **Material** : high tensile steel, quenched and tempered
- **Safety Factor** : MBL equals 4 x WLL
- **Finish** : painted yellow
- **Certification** : test certificates can be supplied upon request



working load limit	length	width	width inside	diameter inside	length inside	length	thickness	width opening	weight per pce
tons	a mm	b mm	c mm	d mm	e mm	f mm	g mm	h mm	kg
3	117	70	26	30	41	82	20	2	0.7
5	136	84	31	35	42	92	25	2	1.2
8	155	97	35	39	48	106	31	3	1.9