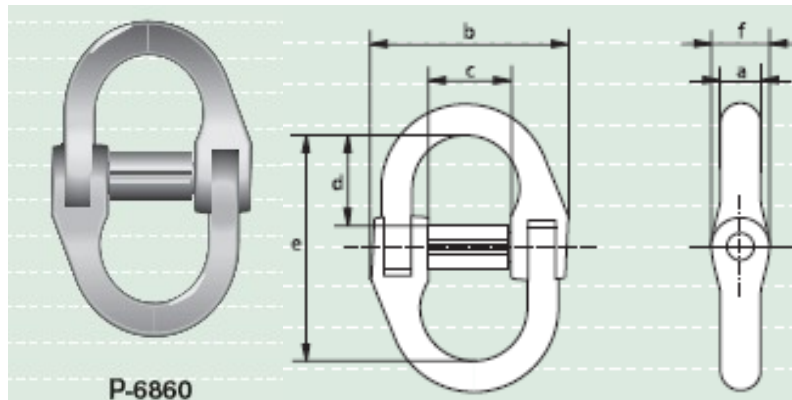




Chain connecting links, grade 8 code P-6860

Specifications

- **Material** : grade 80, alloy steel
- **Safety factor** : MBL equals 4 x WLL
- **Standard** : generally to EN 1677-4
- **Finish** : painted yellow or red
- **Certification** : test certificates can be supplied upon request



working load limit	for chain diameter	diameter	width outside	width inside	length inside	length inside	diameter eye	weight per pce
tons	mm	a mm	b mm	c mm	d mm	e mm	f mm	kg
1.12	6	8	43	10	19	45	11	0.08
2	7-8	9	54	14	22	55	13	0.11
3.2	10	10	66	18	25	64	19	0.35
5.3	13	14	83	21	34	85	24	0.6
8	16	17	103	25	42	105	28	1.36
12.7	18-20	21	120	33	53	129	34	1.81
15.5	22	26	143	40	58	140	37	2.92
21.7	26	30	160	44	62	153	43	4.54