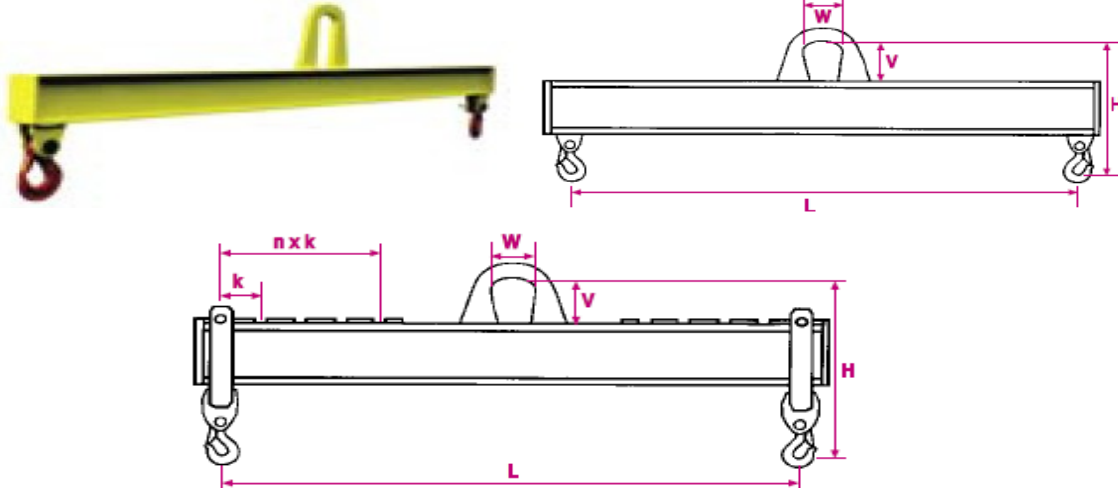




Lifting beam adjustable Type K1/K2

- Material : alloy steel
- Finished : painted



WLL (t)	L (mm)	L adjustable (mm)	nxk (mm)	H (mm)	H adjustable (mm)	V (mm)	W (mm)	Neto Weigth (Kg) Lifting beam	Neto Weigth (Kg) Lifting beam adjustable
1	1000	1000-500	2x125	380	400	120	55	20	25
1	2000	2000-1000	4x125	380	400	120	55	30	38
1	3000	3000-1000	4x250	400	420	120	55	50	60
1	5000	5000-1000	8x250	400	450	120	55	120	150
1.6	1000	1000-500	2x125	400	420	130	60	25	30
1.6	2000	2000-1000	4x125	400	420	130	60	40	50
1.6	3000	3000-1000	4x250	430	450	130	60	60	75
1.6	5000	5000-1000	8x250	450	500	130	60	200	230
2.5	2000	2000-1000	4x125	510	610	150	75	63	75
2.5	3000	3000-1000	4x250	510	610	150	75	90	110
2.5	5000	5000-1000	8x250	580	680	150	75	210	230
2.5	6000	6300-1300	10x250	600	700	150	75	250	280
5	2000	2000-1000	4x125	630	730	190	90	75	100
5	3000	3000-1000	4x250	680	780	190	90	135	160
5	5000	5000-1000	8x250	760	860	190	190	325	360
5	8000	8000-2000	6x500	660	750	190	190	800	850
6.3	3000	3000-1000	4x250	700	800	210	95	180	220
6.3	4000	4000-1000	6x250	730	890	210	95	230	260
6.3	5000	5000-1500	7x250	800	900	210	95	420	470
6.3	6300	6300-1300	10x250	820	920	210	95	500	560
10	3000	3000-1000	4x250	890	1000	250	120	220	280
10	5000	5000-1000	4x500	820	950	250	120	580	650
10	8000	8000-2000	6x500	800	920	250	120	1200	1350
10	10000	10000-3000	7x500	850	980	250	120	1800	1950
16	3000	3000-1000	4x250	920	1080	300	135	400	500
16	5000	5000-1000	8x250	950	1100	300	135	600	720
16	8000	8000-2000	6x500	1050	1200	300	135	800	950
16	10000	10000-3000	7x500	1150	1300	300	135	2400	2650