

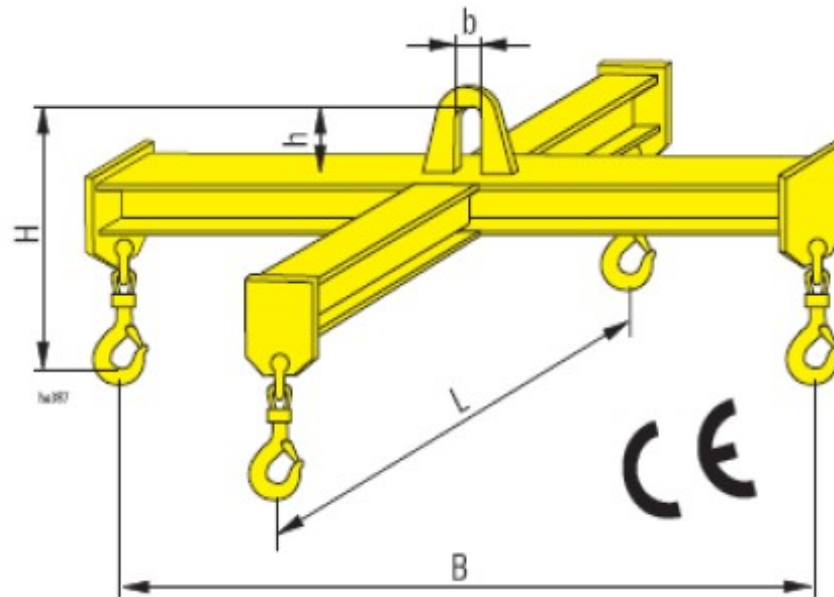


## Lifting beam Type K6

- Material : alloy steel
- Finished : paint

Lifting beam have 4 swivel hooks.

The eye is correspond to hook according DIN 15401



**Dimension Table**

WLL	Dimensions					Weigth
	B	L	H	h	b	
(Kg)	(mm)					(Kg)
1000	1000	1000	400	90	60	50
2000	1500	1500	450	90	60	70
3000	1500	1500	480	120	80	80
5000	2000	2000	550	120	80	160
8000	2000	2000	600	150	100	200