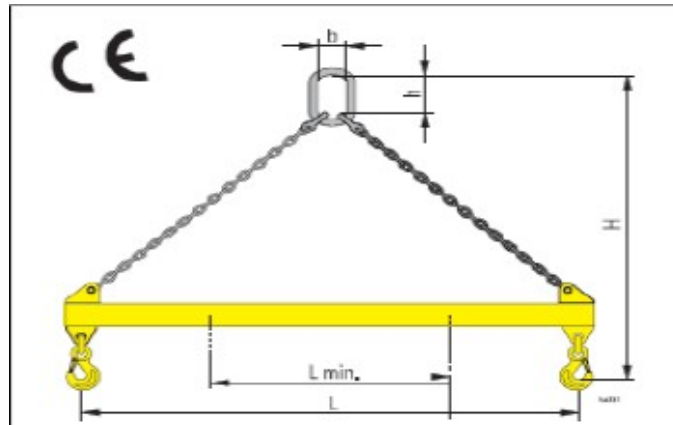




Lifting beam with chain slings Type K4

- Material : alloy steel
- Finished : painted

We can make with fixed length or lifting beam adjustable.
 Chain slings corespont with hooks according to DIN 15401.



Dimension Table

WLL	Dimensions			Fixed			Adjustable		
				H		Weigth	L min.	H	Weigth
	45°	60°	(mm)	(mm)	(Kg)				
(Kg)	L	h	b	(mm)		(Kg)	(mm)		(Kg)
1000	2000	110	60	1400	1000	10	1500	1000-1300	15
	3000			1900	1300	18	2000	1300-1830	23
	4000			2400	1600	35	2500	1660-2370	40
2000	2000	135	75	1450	1050	26	1500	1050-1350	30
	3000			1950	1350	30	2000	1350-1880	38
	4000			2450	1650	50	2500	1680-2410	55
3200	2000	160	90	1480	1080	30	1500	1080-1380	34
	3000			1980	1380	48	2000	1380-1910	53
	4000			2480	1680	70	2500	1680-2440	75
5000	2000	180	100	1580	1180	45	1500	1180-1480	50
	3000			2080	1480	60	2000	1480-2000	64
	4000			2580	1780	80	2500	1780-2540	87
10000	2000	260	140	1800	1400	70	1500	1400-1700	78
	3000			2300	1700	120	2000	1700-2220	134
	4000			2800	2000	130	2500	2000-2760	142