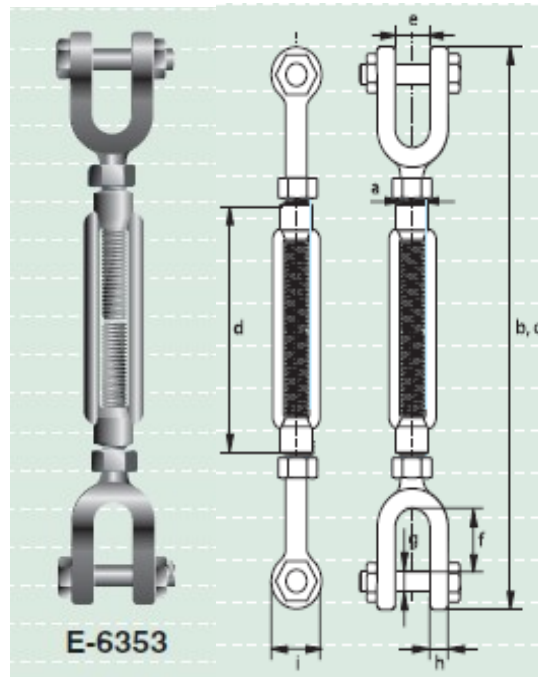




Rigging screws jaw-jaw code E-6353

- Material : drop forged mild steel
- Standard : DIN 1480
- Finish : electro-galvanized
- Note : supplied with locking nuts



diameter thread	length closed position	length open position	length body	opening jaw	length inside	diameter pin	thickness jaw eye	diameter jaw eye	weight per pce
a	b	c	d	e	f	g	h	i	kg
mm	mm	mm	mm	mm	mm	mm	mm	mm	
6	191	277	110	7.5	12	M 6	5	13	0.16
8	194	274	110	8.5	12	M 6	6	14	0.21
10	236	325	125	11	16	M 8	8	18	0.38
12	266	349	125	13	20	M10	10	24	0.66
14	316	406	140	16	30	M12	12	28	1.15
16	374	490	170	18	38	M12	12	32	1.45
20	438	570	200	20	42	M16	16	38	2.61
22	466	611	220	22	44	M18	18	40	3.24
24	514	691	255	24	46	M20	20	42	4.35
30	544	709	255	30	50	M24	22	46	6.48