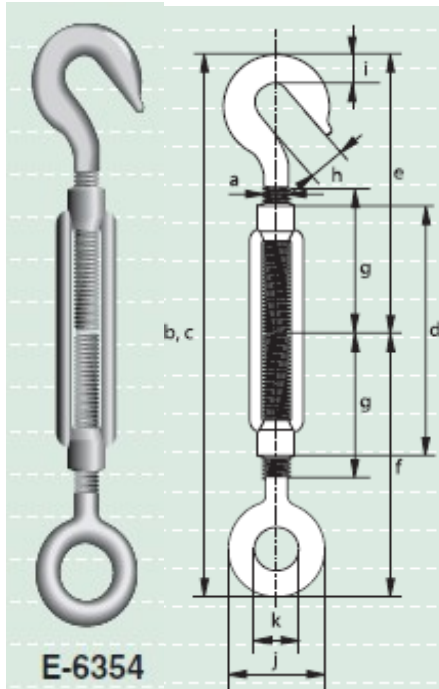




Rigging screws eye-hook code E-6354

- Material : drop forged mild steel
- Standard : DIN 1480
- Finish : electro-galvanized



| diameter thread | length closed position | length open position | length body | length endfitting | length endfitting | length thread | opening hook | thickness hook | diameter eye outside | diameter eye inside | weight per pce |
|-----------------|------------------------|----------------------|-------------|-------------------|-------------------|---------------|--------------|----------------|----------------------|---------------------|----------------|
| a | b | c | d | e | f | g | h | i | j | k | kg |
| mm | mm | mm | mm | mm | mm | mm | mm | mm | mm | mm | |
| 6 | 172 | 258 | 110 | 77 | 80 | 55 | 8 | 15 | 20 | 9 | 0.11 |
| 8 | 184 | 264 | 110 | 85 | 84 | 57 | 10.5 | 15 | 22 | 10 | 0.2 |
| 10 | 222 | 311 | 125 | 106 | 105 | 68 | 13 | 11 | 31 | 14 | 0.28 |
| 12 | 241 | 324 | 125 | 117 | 111 | 70 | 16 | 13 | 35 | 16 | 0.43 |
| 14 | 261 | 351 | 140 | 124 | 122 | 75 | 18 | 15 | 40 | 18 | 0.61 |
| 16 | 311 | 427 | 170 | 144 | 150 | 88 | 20 | 17 | 47 | 22 | 1 |
| 20 | 358 | 490 | 200 | 170 | 167 | 105 | 21 | 21 | 52 | 24 | 1.6 |
| 22 | 414 | 559 | 220 | 200 | 186 | 118 | 24 | 28 | 60 | 27 | 2.2 |
| 24 | 453 | 630 | 255 | 215 | 205 | 135 | 26 | 33 | 65 | 27 | 2.8 |
| 30 | 495 | 660 | 255 | 240 | 220 | 135 | 34 | 35 | 71 | 31 | 4.1 |
| 33 | 545 | 744 | 295 | 260 | 245 | 148 | 38 | 40 | 88 | 36 | 6 |
| 36 | 597 | 782 | 295 | 275 | 277 | 158 | 46 | 45 | 94 | 38 | 8.4 |