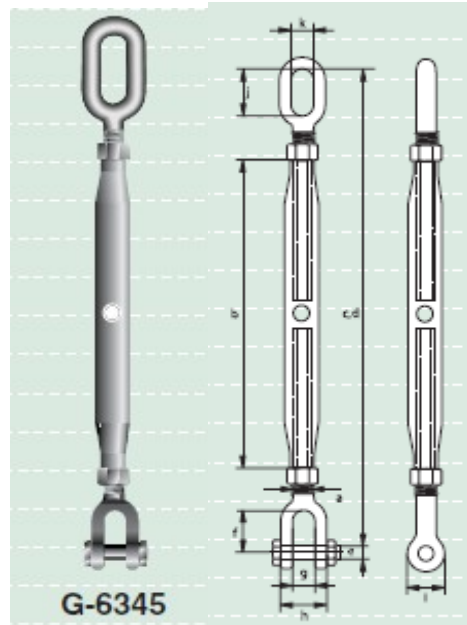




Closed body rigging screws eye-jaw code G-6345

- **Material** : mild steel
- **Safety factor** : MBL equals 5 x WLL
- **Finish** : hot dipped galvanized
- **Note** : end fittings of 6 and 8 mm rigging screws are electro-galvanized



working load limit	diameter thread	length body	length closed position	length open position	diameter pin	length jaw inside	opening jaw	width jaw	diameter jaw eye	length eye inside	width eye inside	weight per pce
tons	a mm	b mm	c mm	d mm	e mm	f mm	g mm	h mm	i mm	j mm	k mm	kg
0.2	6	100	170	248	M 5	19	7	20	13	11	11	0.14
0.32	8	108	189	273	M 6	25	9	24	14	12	12	0.24
0.5	10	125	216	306	M 8	26	10.5	28	19	13	13	0.53
0.7	12	195	323	478	M 10	32	13	34	22	30	15	0.83
1.2	16	230	384	569	M 12	39	18	42	28	40	20	1.49
1.5	20	270	455	665	M 16	46	20	51	33	50	24	2.54
2.2	22	295	493	723	M 20	55	25	55	38	50	24	3.34
3.2	24	325	552	802	M 22	63	30	70	46	56	28	4.65
4.8	33	370	673	963	M 30	85	38	82	60	70	35	10.5
6	39	400	718	1018	M 33	86	45	85	76	80	40	12.8
8.5	45	400	760	1050	M 39	105	50	100	86	90	45	20.8
11	48	400	820	1110	M 45	120	58	118	92	100	45	24