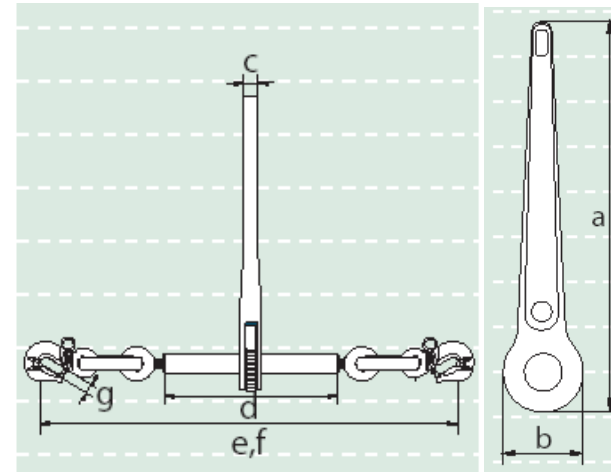
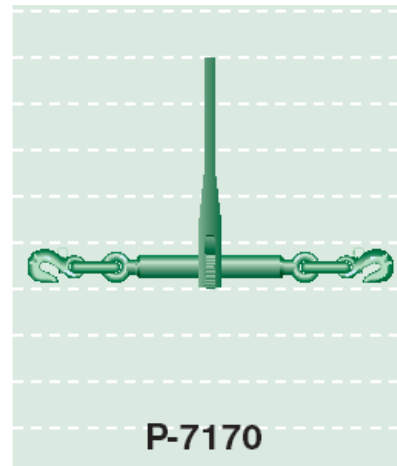




## Ratchet type loadbinders with hooks code P-7170

- **Material** : drop forged, Grade 8, quenched and tempered
- **Safety factor** : MBL equals 2 x Lashing Capacity
- **Standard** : EN 12195-3
- **Finish** : painted red
- **Certification** : test certificates can be supplied upon request



chain size	length	diameter	thickness	length barrel	length open	length closed	width	take-up	lashing capacity	proof load	minimum breaking load	weight per pce
mm	a	b	c	d	e	f	g	mm	tons	tons	tons	kg
8	355	66	16	252	742	573	11	169	4	5	8	4.5
10	355	66	16	252	789	620	13	169	6.3	7.9	12.6	5.4
13	355	66	16	252	866	703	17	163	10	12.5	21.2	7.7
16	355	66	16	252	892	733	20	159	16	20	32.2	10.2