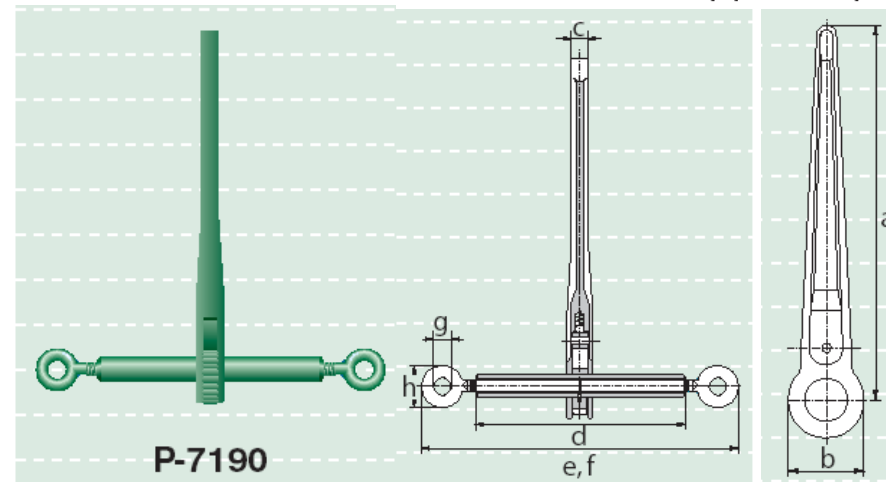




Ratchet type loadbinders without hooks code P-7190

- **Material** : drop forged, Grade 8, quenched and tempered
- **Safety factor** : MBL equals 2 x Lashing Capacity
- **Standard** : EN 12195-3
- **Finish** : painted red
- **Certification** : test certificates can be supplied upon request



chain size	length	diameter	thickness	length barrel	length open	length closed	diameter eye inside	diameter eye outside	take-up	lashing capacity	proof load	minimum breaking load	weight per pce
mm	a	b	c	d	e	f	g	h	mm	tons	tons	tons	kg
8	355	66	16	252	513	344	20	52	169	4	5	8	3.8
10	355	66	16	252	513	344	26	60	169	6.3	7.9	12.6	4.6
13	355	66	16	252	513	350	34	74	163	10	12.5	21.2	6.9
16	355	66	16	252	511	352	34	74	159	16	20	32.2	9.3