



Kinotech Industry

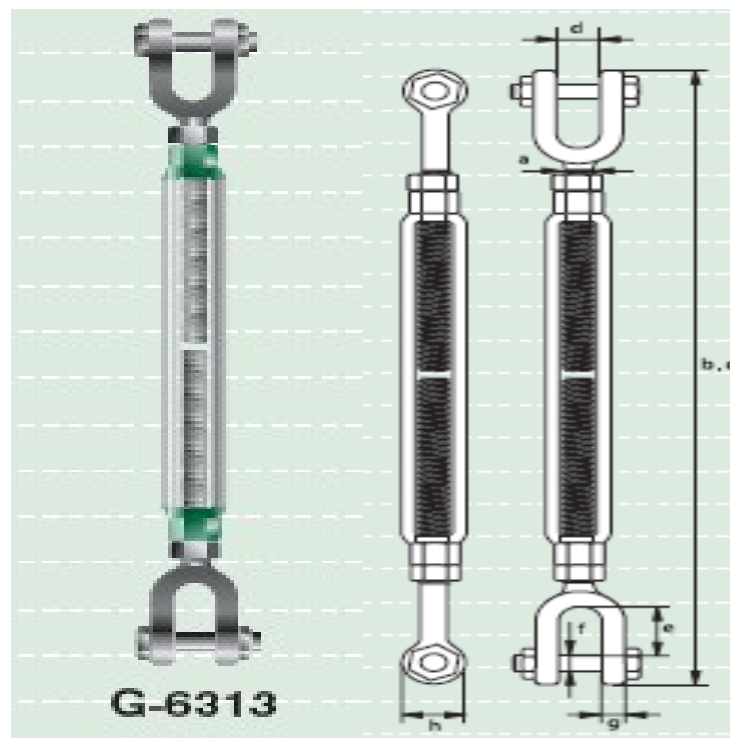
Galati - Romania
TEL./FAX: 0236-466.372
TEL./FAX: 0236-313.013

www.kinotech.ro

E-mail: office@kinotech.ro
Mobil: 0768-463.636
Mobil: 0723-694.919
Mobil: 0765-998.277
Mobil: 0766-360.062

Green Pin turnbuckles jaw-jaw – generally to ASTM F-1145-92 code G-6313

- **Material** : drop forged high tensile steel SAE 1035 or 1045
- **Safety factor** : MBL equals 5 x WLL
- **Standard** : generally to ASTM F1145-92
formerly U.S. Federal Specification FF-T-791b
- **Finish** : hot dipped galvanized
- **Certification** : a works certificate or proof load test certificate can be supplied upon request





Kinotech Industry

Galati - Romania
 TEL./FAX: 0236-466.372
 TEL./FAX: 0236-313.013

www.kinotech.ro

E-mail: office@kinotech.ro
 Mobil: 0768-463.636
 Mobil: 0723-694.919
 Mobil: 0765-998.277
 Mobil: 0766-360.062

working load limit	diameter thread	take up	length closed position	length closed position	length open position	opening jaw	length inside	diameter pin	thickness jaw eye	diameter jaw eye	weight per pce
tons	a inches	inches	b mm	c mm	d mm	e mm	f mm	g mm	h mm	i mm	kg
0.54	3/8	6	274	302	416	13	22	8	8	21	0.57
1	1/2	6	306	338	452	16	26	9.5	10	25	0.96
1	1/2	9	380	414	585	16	26	9.5	10	25	1.18
1	1/2	12	456	490	719	16	26	9.5	10	25	1.50
1.59	5/8	6	346	394	508	18	33	13	13	33	1.84
1.59	5/8	9	421	470	641	18	33	13	13	33	2.12
1.59	5/8	12	497	546	775	18	33	13	13	33	2.56
2.36	3/4	6	369	432	546	23	38	15.5	16	41	2.68
2.36	3/4	9	443	508	679	23	38	15.5	16	41	3.03
2.36	3/4	12	519	584	813	23	38	15.5	16	41	3.29
2.36	3/4	18	671	737	1080	23	38	15.5	16	41	3.65
3.27	7/8	12	551	618	854	27	44	19	18	48	4.90
3.27	7/8	18	705	772	1121	27	44	19	18	48	5.95
4.54	1	6	448	524	638	30	52	22	20	54	5.21
4.54	1	12	598	676	905	30	52	22	20	54	6.96
4.54	1	18	751	829	1172	30	52	22	20	54	8.95
4.54	1	24	902	980	1437	30	52	22	20	54	7.85
6.9	1 1/4	12	657	753	989	44	73	29	25	67	11.9
6.9	1 1/4	18	809	905	1255	44	73	29	25	67	14
6.9	1 1/4	24	962	1058	1521	44	73	29	25	67	13
9.71	1 1/2	12	689	804	1052	52	70	35	27	80	16.9
9.71	1 1/2	18	841	956	1318	52	70	35	27	80	18.7
9.71	1 1/2	24	994	1109	1585	52	70	35	27	80	18.4
12.7	1 3/4	18	918	1049	1403	59	85	41	33	90	25
12.7	1 3/4	24	1070	1201	1670	59	85	41	33	90	28.7
16.78	2	24	1136	1295	1772	64	93	51	39	108	45.4
27.22	2 1/2	24	1276	1476	1943	75	114	57	38	143	73
34.02	2 3/4	24	1334	1560	2019	89	110	70	42	156	98