



**Kinotech Industry**

Galati - Romania

TEL./FAX: 0236-466.372

TEL./FAX: 0236-313.013

www.kinotech.ro

E-mail: office@kinotech.ro

Mobil: 0768-463.636

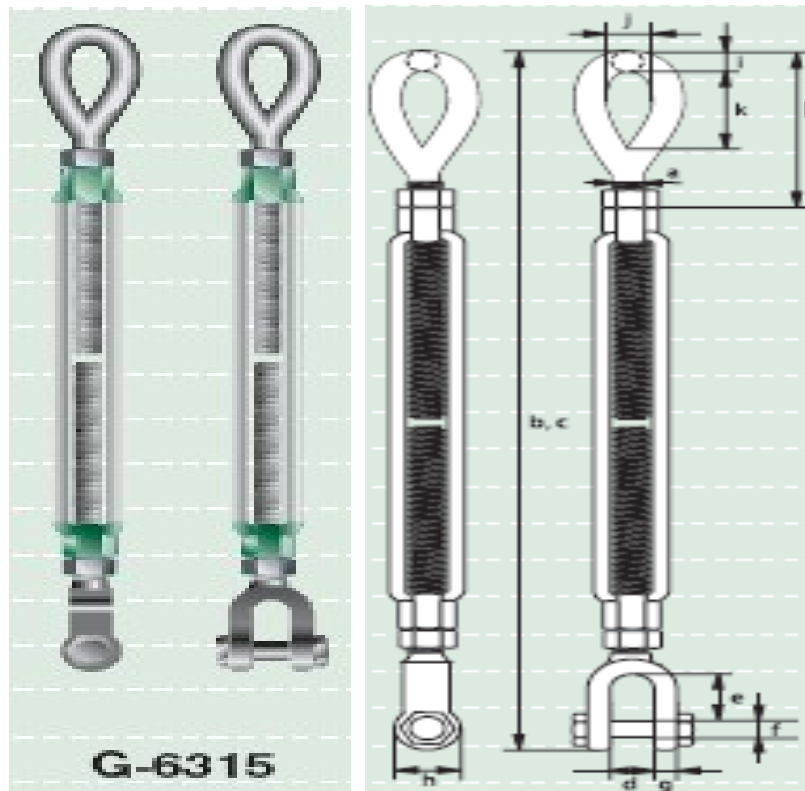
Mobil: 0723-694.919

Mobil: 0765-998.277

Mobil: 0766-360.062

## Green Pin Turnbuckles eye-jaw – generally to ASTM F-1145-92 code G-6315

- **Material** : drop forged high tensile steel SAE 1035 or 1045
- **Safety factor** : MBL equals 5 x WLL
- **Standard** : generally to ASTM F1145-92  
formerly U.S. Federal Specification FF-T-791b
- **Finish** : hot dipped galvanized
- **Certification** : a works certificate or proof load test certificate can be supplied upon request





# Kinotech Industry

Galati - Romania  
 TEL./FAX: 0236-466.372  
 TEL./FAX: 0236-313.013

www.kinotech.ro

E-mail: office@kinotech.ro  
 Mobil: 0768-463.636  
 Mobil: 0723-694.919  
 Mobil: 0765-998.277  
 Mobil: 0766-360.062

working load limit	diameter thread	take up	length closed position	length open position	opening jaw	inside length jaw	diameter pin jaw	thickness eye jaw	diameter eye jaw	diameter eye jaw	inside width eye	inside length eye	length closed position	weight per pce
tons	a inches	inches	b mm	c mm	d mm	e mm	f mm	g mm	h mm	i mm	j mm	k mm	l mm	kg
0.54	3/8	6	302	416	13	22	8	8	21	9	13	28	65	0.51
1	1/2	6	338	452	16	26	9.5	10	25	12	18	36	80	0.89
1	1/2	9	414	585	16	26	9.5	10	25	12	18	36	80	1.10
1	1/2	12	490	719	16	26	9.5	10	25	12	18	36	80	1.31
1.59	5/8	6	394	508	18	33	13	13	33	14	21	43	98	1.58
1.59	5/8	9	470	641	18	33	13	13	33	14	21	43	98	1.84
1.59	5/8	12	546	775	18	33	13	13	33	14	21	43	98	2.22
2.36	3/4	6	432	546	23	38	15.5	16	41	17	25	53	113	2.34
2.36	3/4	9	508	679	23	38	15.5	16	41	17	25	53	113	2.72
2.36	3/4	12	584	813	23	38	15.5	16	41	17	25	53	113	2.95
2.36	3/4	18	737	1080	23	38	15.5	16	41	17	25	53	113	3.30
3.27	7/8	12	625	854	27	44	19	18	48	20	31	59	118	4.35
3.27	7/8	18	778	1121	27	44	19	18	48	20	31	59	118	5.46
4.54	1	6	524	638	30	52	22	20	54	22	36	74	155	4.66
4.54	1	12	676	905	30	52	22	20	54	22	36	74	155	6.35
4.54	1	18	829	1172	30	52	22	20	54	22	36	74	155	7.98
4.54	1	24	980	1437	30	52	22	20	54	22	36	74	155	7.39
6.9	1 1/4	12	760	989	44	73	29	25	67	29	45	88	197	10.92
6.9	1 1/4	18	912	1255	44	73	29	25	67	29	45	88	197	11
6.9	1 1/4	24	1064	1521	44	73	29	25	67	29	45	88	197	12.9
9.71	1 1/2	12	823	1052	52	70	35	27	80	32	54	105	215	13.1
9.71	1 1/2	18	975	1318	52	70	35	27	80	32	54	105	215	14.7
9.71	1 1/2	24	1128	1585	52	70	35	27	80	32	54	105	215	17.8
12.7	1 3/4	18	1060	1403	59	85	41	33	90	38	60	119	254	22.3
12.7	1 3/4	24	1213	1670	59	85	41	33	90	38	60	119	254	27.5
16.78	2	24	1315	1772	64	93	51	39	108	45	69	146	308	42.9
27.22	2 1/2	24	1486	1943	75	114	57	39	143	51	79	165	344	68
34.02	2 3/4	24	1562	2019	89	110	70	42	156	57	83	178	381	91