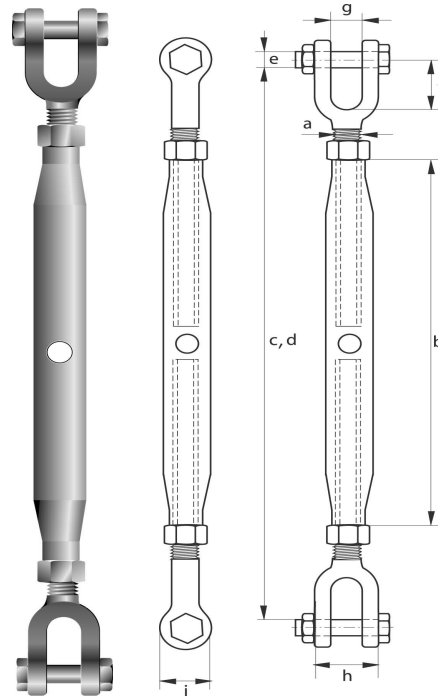




## Closed body rigging screws jaw-jaw code G-6343

- **Material** : mild steel
- **Safety factor** : MBL equals 5 x WLL
- **Finish** : hot dipped galvanized
- **Note** : end fittings of 6 and 8 mm rigging screws are electro-galvanized



working load limit	diameter thread	length body	length closed position	length open position	diameter pin	length inside	opening jaw	width jaw	diameter jaw eye	weight per pce
tons	a mm	b mm	c mm	d mm	e mm	f mm	g mm	h mm	i mm	kg
0.2	6	100	175	255	5	19	7	20	13	0.16
0.32	8	108	199	282	6	25	9	24	14	0.27
0.5	10	125	222	320	8	26	10.5	28	19	0.45
0.7	12	195	320	479	10	32	13	34	22	0.85
1.2	16	230	388	572	12	39	18	42	28	1.57
1.5	20	270	454	672	16	46	20	51	33	2.67
2.2	22	295	490	730	20	55	25	55	38	3.68
3.2	24	325	558	819	22	63	30	70	46	5.3
4.8	33	370	681	977	30	85	38	82	60	12
6	39	400	710	1017	33	86	45	85	76	14.2
8.5	45	400	760	1050	39	105	50	100	86	20.8
11	48	400	820	1110	45	120	58	118	92	24