



**Kinotech Industry**

Galati - Romania

TEL./FAX: 0236-466.372

TEL./FAX: 0236-313.013

www.kinotech.ro

E-mail: office@kinotech.ro

Mobil: 0768-463.636

Mobil: 0723-694.919

Mobil: 0765-998.277

Mobil: 0766-360.062

## DOUBLE PIN CONNECTOR SHACKLE TYPE H12

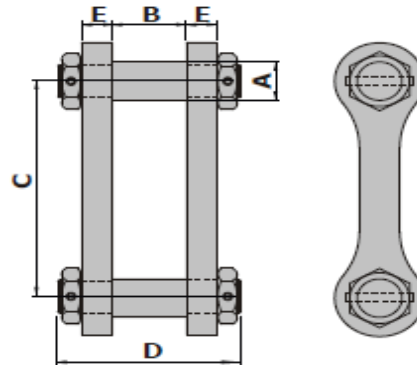
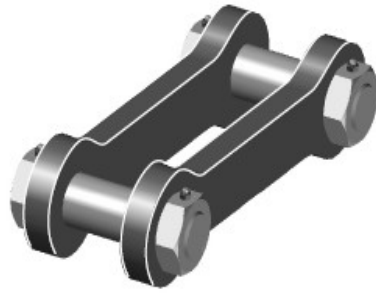
Material: - Body: high tensile steel

- Pin: high alloy steel

Finish: Painted

Certificat

standard: 3,1B material manufacturer



Art.no	Thimble size inch	MBL ton	PL ton	A mm	B mm	C mm	D mm	E mm	Weight kgs
38120000	12"	500	300	110	170	540	510	90	211
38150000	15"	500	300	110	200	540	540	90	216
38180000	18"	500	300	110	225	710	565	90	244
38210000	21"	500	300	110	250	710	590	90	250

Tolerance  $\pm$  5%