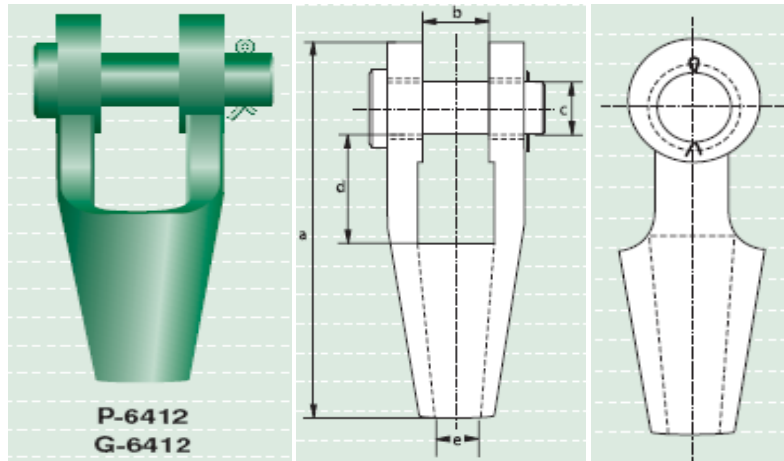




Green Pin open spelter sockets code P-6412 and G-6412

- **Material** : high tensile steel GS21Mn5
- **Safety factor** : MBL equals 5 x WLL
- **Finish** : painted green or hot dipped galvanized
- **Certification** : a works certificate and a proof load test certificate can be supplied upon request



number	working load limit	diameter wire rope	length	width inside	diameter pin	length inside	opening	weight per pce
	tons	mm	a mm	b mm	c mm	d mm	e mm	kg
198	4	11 - 13	142	25	25	38	14	1
199	5	14 - 16	171	32	30	48	17.5	1.8
100	8	18 - 19	205	38	35	58	21	3.2
104	10	20 - 22	235	44	41	68	24	4.6
108	12.6	23 - 26	275	51	51	75	28	8
111	16	27 - 30	306	57	57	85	32	11
115	20	31 - 36	338	63	63	95	38	16
118	25	37 - 39	394	76	70	127	41	23
120	32	40 - 42	418	76	76	127	44	27
125	40	43 - 48	468	89	89	133	51	41
128	50	49 - 54	552	101	95	180	57	58
130	64	55 - 60	598	113	108	196	63	85
132	80	61 - 68	654	127	121	212	73	118
135	90	69 - 75	696	133	127	215	79	155
138	100	76 - 80	737	146	133	219	86	173
140	120	81 - 86	788	159	140	228	92	230
142	140	87 - 93	852	171	152	242	99	265
144	160	94 - 102	914	191	178	254	108	370
146	200	108 - 115	1145	205	195	382	125	525
150	240	120 - 130	1280	225	250	375	138	900