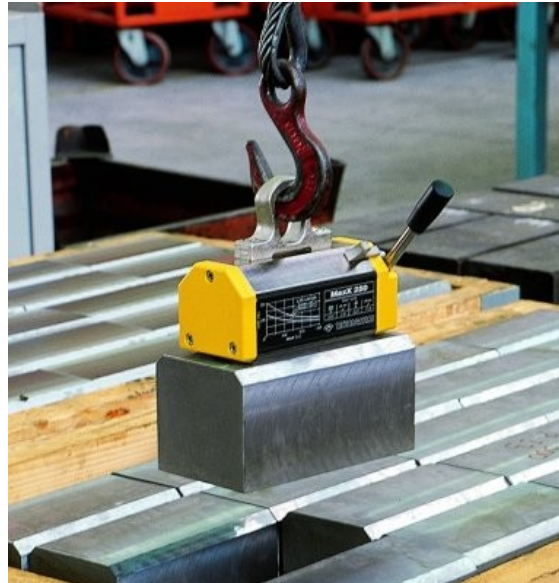


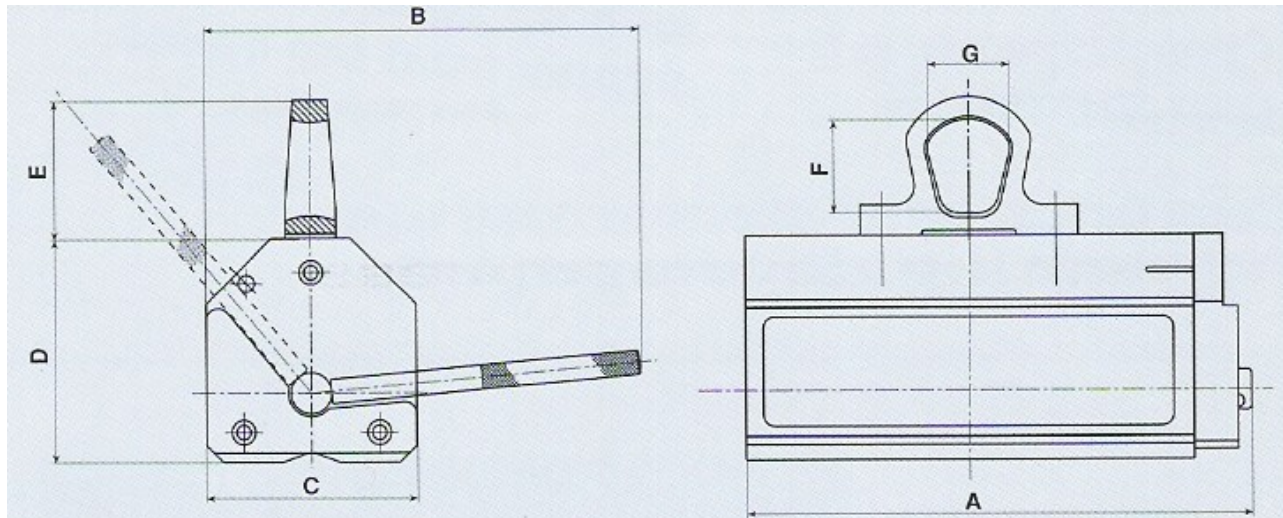


Lifting magnet with lever - type MaxX

Ideal for handling work pieces in machine tools and oxygen cutting operation, for plates, sheet and iron blocks in steel structural works and shipyards building in steel industries and distribution centers, for changing tooling in production and in general for all the requirements of the modern mechanical workshops.



Model	Type	WLL (kg)	Test load (kg)	Weight / piece (kg)
MaxX 125	Standard	125	375	3.7
MaxX 250	Standard	250	750	6.0
MaxX 500	Standard	500	1,500	15.0
MaxX 1000	Standard	1,000	3,000	34.0
MaxX 1500	Standard	1,500	4,500	66.0
MaxX 2000	Standard	2,000	6,000	80.0
MaxX TG 150	Reduced width	150	450	6.0
MaxX TG 300	Reduced width	300	900	16.0



Model	Weight kg	Dimensions mm						
		A	B	C	D	E	F	G
MaxX 250	6	189	185	79	79	63	43	35
MaxX 500	15	249	235	106	101	88	60	52
MaxX 1000	34	342	316	133	131	88	60	52
MaxX 1500	66	383	457	166	171	122	87	64
MaxX 2000	80	457	457	166	171	122	87	64

LOADING CHARACTERISTICS					
OBJECT SHAPE	MODEL	WLL [kg]	MIN WIDTH [mm]	MAX LENGTH [mm]	MAX DIAMETER [mm]
FLAT	MaxX 125	125	20	1000	-
	MaxX 150TG	150	8	1500	-
	MaxX 250	250	20	1500	-
	MaxX 300TG	350	10	2000	-
	MaxX 500	500	25	2000	-
	MaxX 1000	1000	40	3000	-
	MaxX 1500	1500	45	3000	-
	MaxX 2000	2000	55	3000	-
ROUND	MaxX 125	50	10	1000	300
	MaxX 250	100	10	1500	300
	MaxX 500	200	15	2000	400
	MaxX 1000	400	25	3000	450
	MaxX 1500	600	30	3000	500
	MaxX 2000	800	35	3000	600