



Kinotech Industry

Galati - Romania
TEL./FAX: 0236-466.372
TEL./FAX: 0236-313.013

www.kinotech.ro

E-mail: office@kinotech.ro

Mobil: 0768-463.636

Mobil: 0723-694.919

Mobil: 0765-998.277

Mobil: 0766-360.062

CR-D THIMBLE TYPE K16 [Chain-Fibre rope]

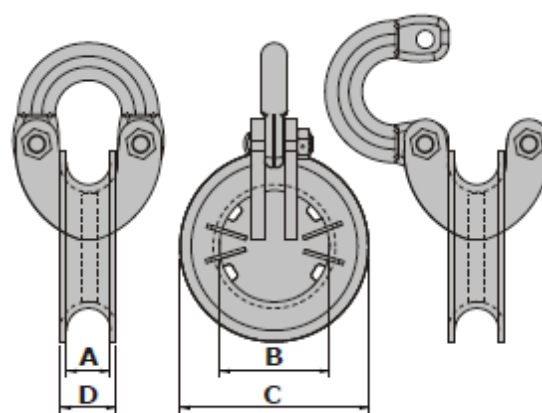
Material: High grade steel

Finish: Painted

Certificates: Proofload

Manufacturer certificate

The CR-D Thimbles is specially designed for a connection between chain and synthetic rope. It will fulfil the latest design requirements for deepwater mooring.



Art.no.	Rope dia. mm \pm 5	PL ton	MBL ton	UBL ton	A mm-0+5	B mm \pm 3%	C mm \pm 4%	D mm \pm 5
47070375	110	325	375	490	130	393	570	170
47070425	120	370	425	500	140	393	580	180
47070500	130	400	500	650	155	495	690	200
47070600	140	500	650	730	170	495	705	215
47070750	150	550	750	860	180	545	770	225
47070800	160	600	800	1000	190	545	780	235
47070900	170	675	900	1100	200	600	850	245
47071000	190	750	1000	1250	220	600	860	265
47071250	210	1000	1250	1500	240	740	1040	285
47071500	230	1250	1500	1800	270	740	1070	315
47071750	250	1500	1750	2000	290	890	1260	335
47072000	270	1750	2000	2300	310	890	1280	355