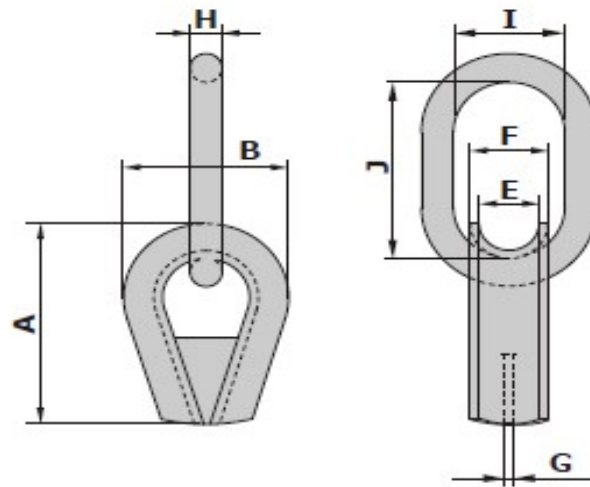




THIMBLE WITH LINK TYPE K10

Material: - Thimble mild steel
 - Link high alloy steel
Finish: Painted



Art. no.	Rope size inch	A mm	B mm	E mm	F mm	G mm	H mm	I mm	J mm	MBL Link tons	Weight kg
17090000	9/10½"	370	290	100	130	16	51	190	350	144	37
17090000	9/10½"	370	290	100	130	16	57	200	400	188	45
17125000	12½/13"	450	330	115	155	20	57	200	400	188	57
17125000	12½/13"	450	330	115	155	20	63	230	430	232	64
17140000	14/15"	520	370	135	175	20	63	230	430	232	80
17140000	14/15"	520	370	135	175	20	72	250	440	336	94
17160000	16/18"	580	390	155	195	20	72	250	440	336	98
17160000	16/18"	580	390	155	195	20	80	250	450	420	114
17190000	19/20"	600	440	170	210	20	80	250	450	420	127
17190000	19/20"	600	440	170	210	20	90	300	460	524	140
17210000	20/21"	600	440	180	220	20	90	300	460	524	180
17210000	20/21"	600	440	180	220	20	100	300	500	628	195
17210000	20/21"	600	440	180	220	20	110	400	650	1000	285

Tolerance ± 5%

Link can be connected to several thimbles on request.