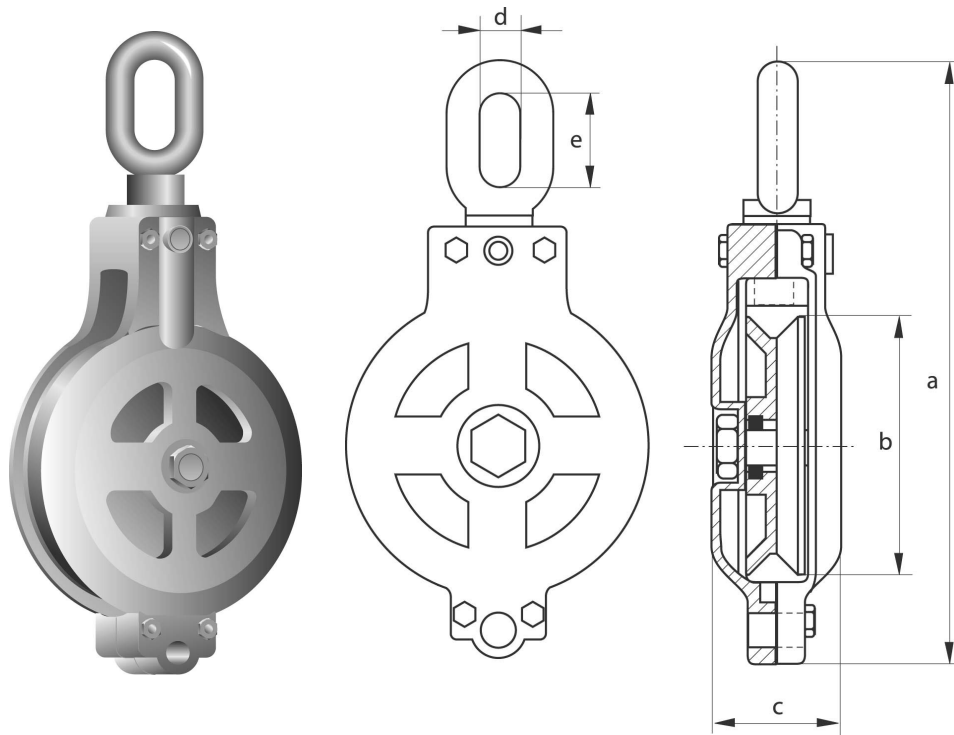




American pattern cargo blocks code P-6916

- **Material** : carbon steel
 sheave with taper roller bearing
- **Safety factor** : MBL equals 4 x WLL
- **Finish** : painted
- **Certification** : test certificates can be supplied upon request
- **Note** : Working Load Limit is on the headfitting



working load limit	diameter wire rope	length	diameter	thickness	width inside	length inside	weight per pce
tons	mm	a mm	b mm	c mm	d mm	e mm	kg
4	10-13	437	156	82	35	75	11
6	20-22	512	200	104	35	75	20
6	20-22	610	260	124	40	85	27
10	20-22	750	305	165	54	125	40
10	24-26	840	355	165	54	125	55
20	32-35	1040	406	180	73	170	100
32	26-28	1018	430	192	73	170	125
40	26-28	1095	460	210	73	170	150