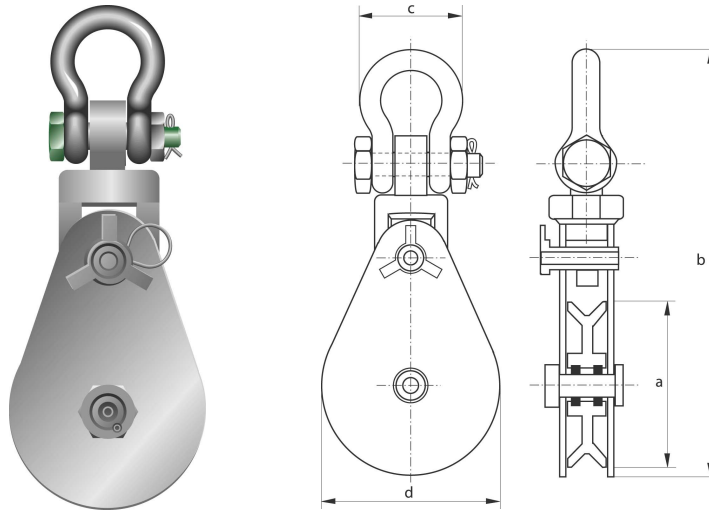




Green Pin snatch blocks code P-6951

- **Material** : carbon steel, fitted with conical roller bearings
- **Safety factor** : MBL equals 4 x WLL
- **Finish** : painted
- **Certification** : test certificates can be supplied upon request
- **Note** : Working Load Limit is on the headfitting



working load limit	diameter wire rope	diameter outside sheave	length	width	width outside	weight per pce
tons	mm	a mm	b mm	c mm	d mm	kg
2	7-9	75	293	79	82	3.8
4	10-12	115	363	107	120	6.1
4	12-14	152	417	107	160	9.5
8	20-22	152	477	124	160	14.6
12	20-22	152	555	154	160	25
15	24-26	152	585	170	160	30
4	10-12	203	478	107	210	12
8	20-22	203	526	124	210	16
12	20-22	203	580	154	210	32
15	24-26	203	646	170	210	35
8	20-22	254	582	124	260	18
12	20-22	254	680	154	260	39
15	24-26	254	705	170	260	43
8	20-22	305	612	124	310	27
12	20-22	305	745	154	310	53
15	24-26	305	771	170	310	55
8	20-22	357	662	124	360	31
12	20-22	357	770	154	360	60
15	24-26	357	798	170	360	63
8	20-22	406	712	124	410	35
12	20-22	406	820	154	410	67
15	24-26	406	848	170	410	70
8	20-22	457	762	124	460	42
12	20-22	457	878	154	460	75
15	24-26	457	898	170	460	78