

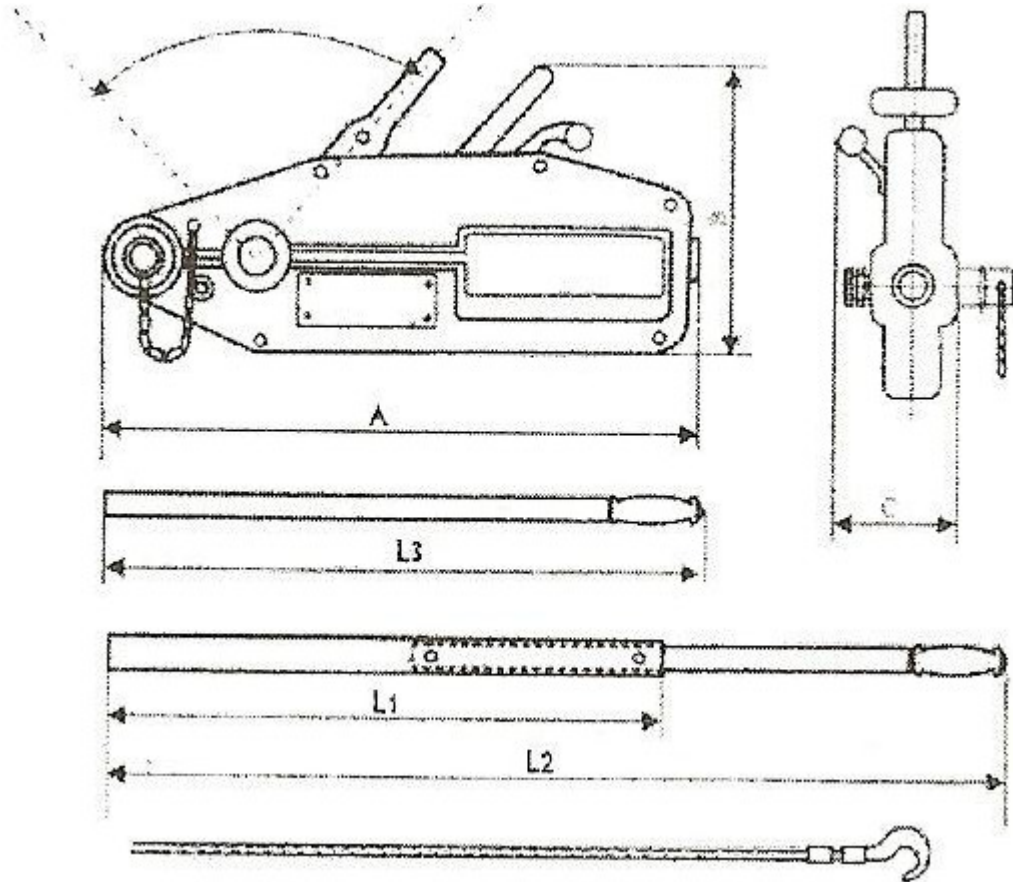


## Gripper wire rope hoist

Gutman gripper is a very robust wire rope gripper that can be used in vertical, horizontal and diagonal directions in designs of 800 kg, 1600 kg and 3200 kg load capacities. Both the shear pin and the lever will reliably indicate overload.



WLL	Wire rope diameter	Maximum pulling weight	Wire rope weight	Wire rope length
kg	mm	kg	kg/m	m
800	8.3	1200	0.29	20
1600	11.0	2400	0.53	20
3200	16.0	4000	1.00	20



Parameters		Model	800	1600	3200
Working Load Limit (kg)			800	1600	3200
Pulling force (N)			341	400	438
Lifting height at 1 lever movement (mm)			≥52	≥55	≥28
Wire rope diameter (mm)			8.3	11	16
Pulling safety factor			5	5	5
Maximum load (kg)			1200	2400	4000
Weight of gripper (kg)			6.4	12	23
Maximum dimensions	A		426	545	660
	B		238	284	325
	C		64	97	116
L1 (cm)				692	692
L2 (cm)				1200	1200
L3 (cm)			800		