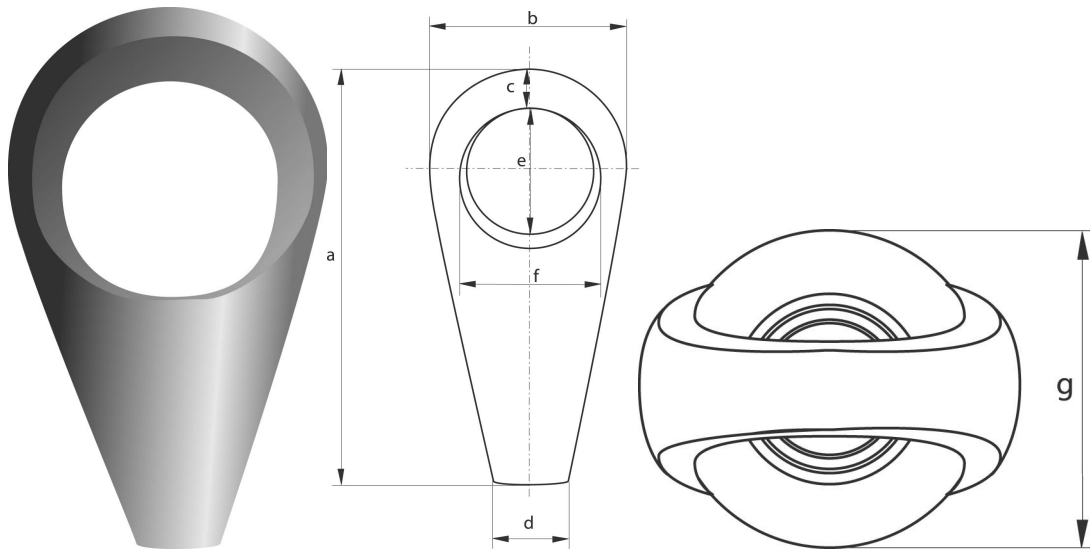




**Pear shaped – closed spelter sockets
 code G-6416**

- **Material** : drop forged alloy steel SCM 435
- **Finish** : galvanized
- **Certification** : a works certificate and a proof load test certificate can be supplied upon request



diameter wire rope	length	width	thickness bow	width	length eye	width eye	thickness	weight per pce
inches	a mm	b mm	c mm	d mm	e mm	f mm	g mm	kg
1 1/4 - 1 3/8	246	122	38	48	83	76	97	18
1 1/2 - 1 5/8	305	152	40	57	104	92	123	22
1 3/4 - 1 7/8	356	178	47	66	121	112	140	28
2 - 2 1/8	391	202	53	76	133	121	158	32
2 1/4 - 2 3/8	438	221	61	80	146	133	184	44
2 1/2 - 2 5/8	457	264	68	96	165	149	217	56
2 3/4 - 2 7/8	540	273	74	105	178	163	222	68
3 - 3 1/8	584	295	76	115	194	174	243	100
3 1/4 - 3 3/8	626	319	82	121	216	194	260	120
3 1/2 - 3 5/8	670	340	92	127	219	202	270	145
3 3/4 - 3 7/8	698	356	98	133	235	214	290	190
4 - 4 1/4	803	412	112	152	270	242	318	250