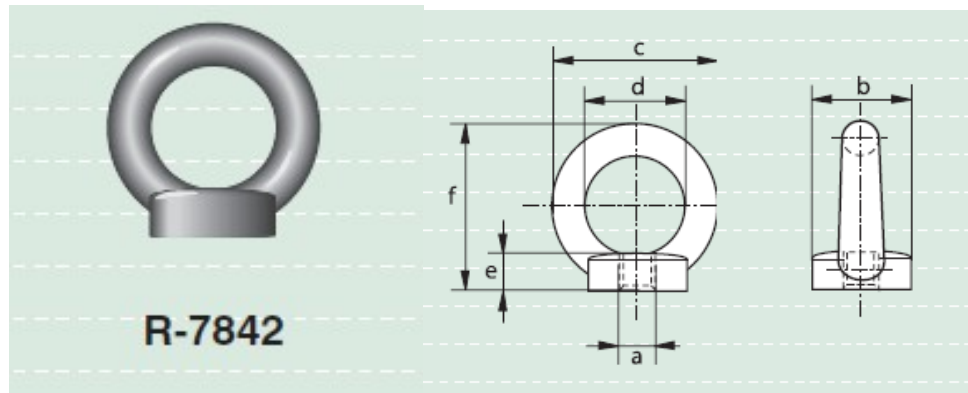




Eye nut type R-7842

- Material : AISI 316
- Standard : generally to DIN 582
- Finish : polished



diameter thread	diameter base	diameter eye outside	diameter eye inside	thickness base	height	weight per 100 pcs
a mm	b mm	c mm	d mm	e mm	f mm	kg
M 6	20	36	20	8.5	36	4.2
M 8	20	36	20	8.5	36	5.2
M 10	25	45	25	10	45	9.4
M 12	30	54	30	11	53	16
M 16	35	63	35	13	62	24