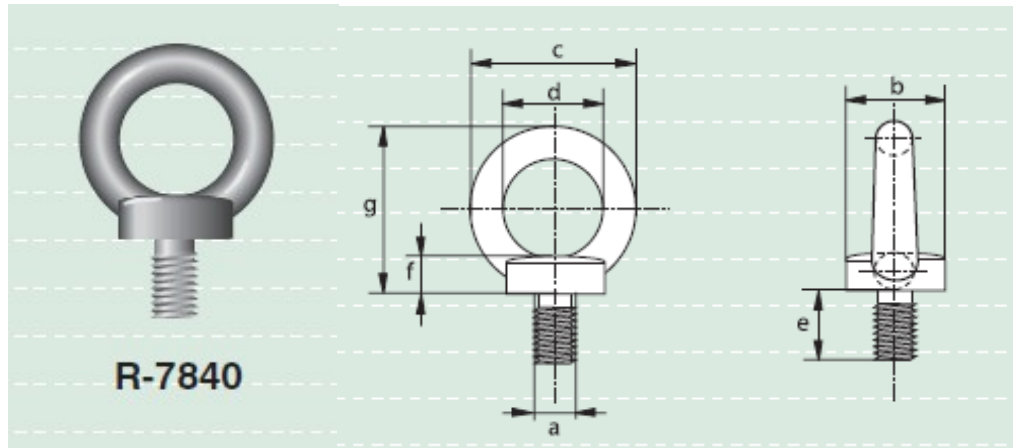




Eye bolts R-7840

- Material : AISI 316
- Standard : generally to DIN 580
- Finish : polished



diameter thread	diameter base	diameter eye outside	diameter eye inside	length thread	thickness base	height	weight per 100 pcs
a mm	b mm	c mm	d mm	e mm	f mm	g mm	kg
M 6	20	36	20	13	6	36	3
M 8	20	36	20	13	6	36	6
M 10	25	45	25	17	8	45	10.3
M 12	30	54	30	20.5	10	53	17.7
M 16	35	63	35	27	12	62	28