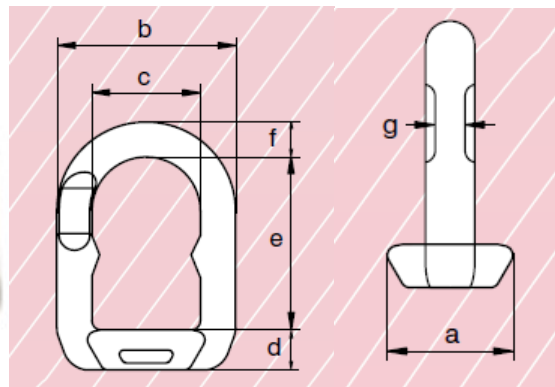




Stainless steel eye nut type ELBI

- **Material** : AISI 316L
- **Safety factor** : MBL equals 5 x WLL
- **Finish** : polished
- **Certification** : at no extra charge this product can be supplied with a works certificate, a 3.1 certificate and/or EC Declaration of Conformity
- **Note** : final WLL of product may change after machining



partnumber	working load limit	diameter base	width	width inside	thickness base	length inside	diameter	thickness	weight each
	t	a	b	c	d	e	f	g	
		mm	mm	mm	mm	mm	mm	mm	kg
EL1BI	0.8	39	56	31	17	48	12	7	0.24
EL2BI	2	44	66	37	18	60	14	9	0.42
EL3BI	3.5	52	81	47	24	75	17	11	0.69