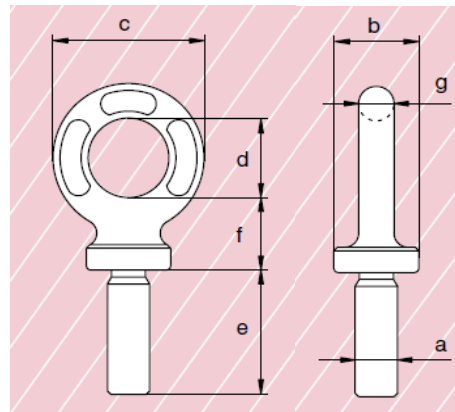




Stainless steel eye bolt without thread type ALBI

- **Material** : AISI 316L
- **Safety factor** : MBL equals 5 x WLL
- **Finish** : polished
- **Certification** : at no extra charge this product can be supplied with a works certificate, a 3.1 certificate and/or EC Declaration of Conformity
- **Note** : final WLL of product may change after machining



partnumber	working load limit	diameter	diameter base	diameter eye outside	diameter eye inside	length	thickness base	diameter	weight each
	t	a	b	c	d	e	f	g	
		mm	mm	mm	mm	mm	mm	mm	kg
AL08BI	0.2	12	22	34	20	24	17	7	0.07
AL10BI	0.4	15	24	38	22	30	19	8	0.11
AL12BI	0.6	16	28	47	26	36	23	10	0.17
AL14BI	0.8	19	34	57	29	40	28	14	0.3
AL18BI	1.5	22	41	65	35	55	30	14	0.48
AL20BI	2	26	45	73	39	59	34	16	0.58
AL22BI	2.5	29	47	82	44	64	38	19	0.94
AL24BI	3	30	58	95	54	84	40	20	1.15