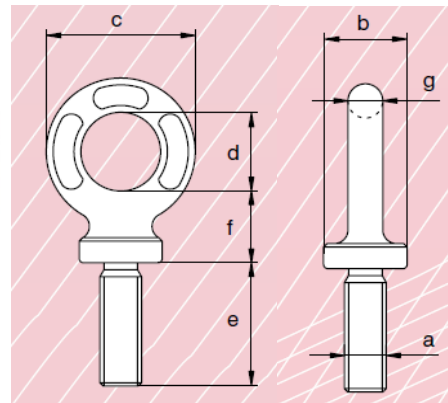




Stainless steel eye bolt length as DIN 580

- **Material** : AISI 316L
- **Safety factor** : MBL equals 5 x WLL
- **Finish** : polished
- **Certification** : at no extra charge this product can be supplied with a works certificate, a 3.1 certificate and/or EC Declaration of Conformity



partnumber	working load limit	diameter thread	diameter base	diameter eye outside	diameter eye inside	length	thickness base	diameter	weight each
	t	a	b	c	d	e	f	g	
		mm	mm	mm	mm	mm	mm	mm	kg
AL08DINI	0.2	M 8	20	34	20	13	17	7	0.05
AL10DINI	0.4	M10	20	38	22	17	19	8	0.07
AL12DINI	0.6	M12	25	47	26	21	23	10	0.12
AL14DINI	0.8	M14	30	57	29	27	28	14	0.24
AL16DINI	1	M16	36	65	35	27	30	14	0.34
AL18DINI	1.5	M18	36	65	35	30	30	14	0.38
AL20DINI	2	M20	40	73	39	30	34	16	0.52
AL22DINI	2.5	M22	42	82	44	35	38	19	0.67
AL24DINI	3	M24	55	95	54	36	40	20	0.98